

Palm Grip B28



The Palm Grip B28 has different equipment options for many requirements. It is compatible with our Multi-Axis Controller or mounted on hydraulic drives. The Palm Grip has a highly flexible single wire (0,1 mm², 450 mm long). The mounting piece for the drive rod can be supplied with a tapped hole 10 mm (standard).

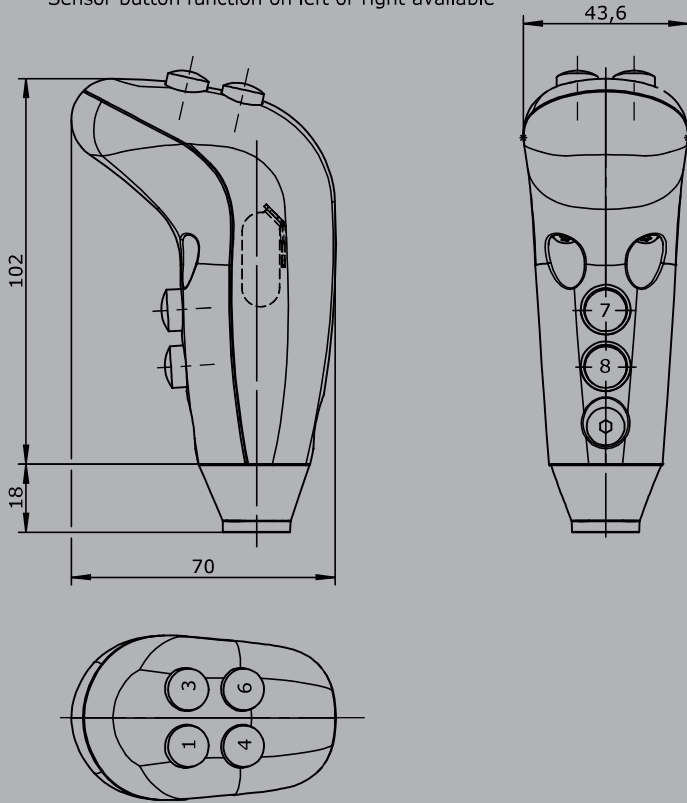
Technical data

Operating temperature -40°C to +85°C
 Degree of protection up to IP54

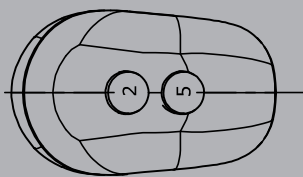


	Example			
	B28	-2D	SE	-X
Basic unit				
B28 Palm Grip				
Digital actuating element				
D Push Button (1,5A 24 V DC13) Colour: red, black, yellow, green, blue, grey				
SE Sensor Button capacitive with external control electronics				
S Sensor Button capacitive without external control electronics (Consistent with V85 / VV85 with interface E1xx to E6xx, E907 and V25/V27 with interfaces E3xx + E4xx+E907)				
Special model				
X Special / customer specified				

Edition:
Push button installed
Pos. 1,3,4,6,7,8
Sensor button function on left or right available



Edition:
Push button installed
Pos. 2,5,7,8
Sensor button function on left or right available



Edition:
Push button installed
Pos. 7,8,9,10
Sensor button function on left or right available

