

Portable control unit TS 1



The portable control unit TS 1 is used for controlling and monitoring the necessary equipment. The chest panel and straps enable the operator to carry it without becoming tired. An adjustable carrying strap can also be fitted for use without the chest plate.

Surface treatment:
Priming and structure-finishing paint
Standard colour RAL 7032 pebble-grey

Technical data:

Operation temperature	-40°C to +85°C
Degree of protection	IP54



		TS 1	-SB 1	-RH 1	-K 3	-HS 1	/	V...	/	KLS	/	X
Basic unit												
TS 1	With chest plate and straps											
TS 11	With straps											
Attachment												
SB 1	Legs for control unit alu-tube 2 pieces											
SB 2	Legs for control unit stainless steel-tube V2 A 2 pieces											
RH 1	Reeling hooks for control unit stainless steel V2 A											
K 1	Cable entry M32 cable 11 - 21 mm											
K 2	Cable entry M40 cable 19-28 mm											
K 3	Cable entry 180° swiveling M32 cable 11-21 mm											
HS 1	Plug in socket 16-pole male insert	HAN 16E without wiring										
HB 1	Connector 16-pole female insert	HAN 16E without wiring										
HS 2	Plug in socket 24-pole female insert	HAN 24E without wiring										
HB 2	Connector 24-pole female insert	HAN 24E without wiring										
HS 3	Plug in socket 32-pole male insert	HAN 32E without wiring										
HB 3	Connector 32-pole female insert	HAN 32E without wiring										
<i>Indicating labels not engraved for multi-axis-/ single-axis controller</i>												
Mounting for equipment boxes												
V	Multi-axis controller (see page 1)											
S	Single-axis controller (see page 93)											
N	Control-switch (see page 131)											
...	More command and indicating devices (see page 202)											
Cable and wiring												
Cable Ölflex Classic FD 810 P	18 x 1 mm ²	13,9 mm Ø	-5°C to +70°C	each meter								
Cable Ölflex Classic FD 810 P	25 x 1 mm ²	16,4 mm Ø	-5°C to +70°C	each meter								
Cable Ölflex Classic FD 810 P	34 x 1 mm ²	18,9 mm Ø	-5°C to +70°C	each meter								
Cable Neonflex	18 x 1 mm ²	19,2 mm Ø	-25°C to +80°C	each meter								
Cable Neonflex	24 x 1 mm ²	22,1 mm Ø	-25°C to +80°C	each meter								
Cable Neonflex	36 x 1 mm ²	26,1 mm Ø	-25°C to +80°C	each meter								
KLS	Wired on connector / plug in socket per core											
KLK	Wiring for cable per core											

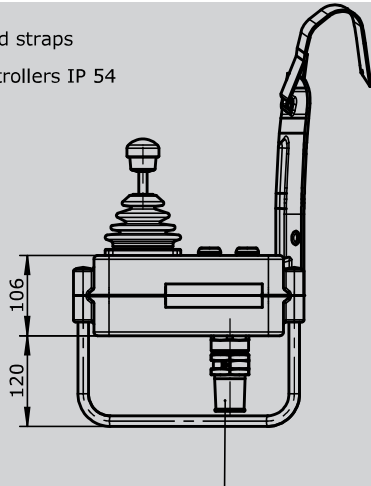
Technical details may vary based on configuration or application! Technical data subject to change without notice!

TS 1 -SB 1 -RH 1 -K 3 -HS 1 / V... / KLS / X

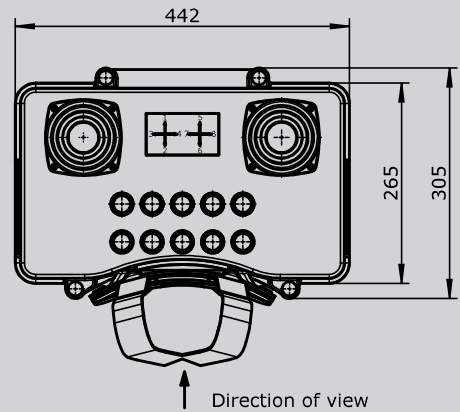
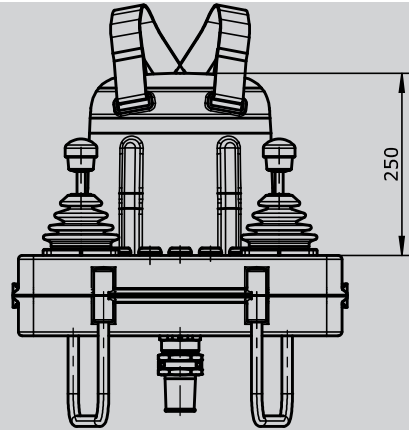
Special model

- X Special / customer specified
- X1 Housing antistatic design < 10⁹ Ohm/cm
- X2 Finishing colour yellow RAL 1021

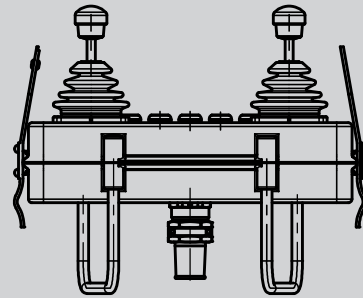
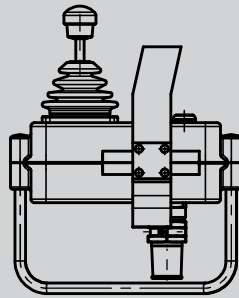
With chest plate and straps
Protection IP 65
with multi-axis controllers IP 54



Cable entry
with anti-kink protection
and stain relief or connectors



With adjustable carrying strap
Protection IP 65
with multi-axis controllers IP 54



3