

Driver seat KFS 12



The crane driver's seat KFS 12 is ergonomically designed and provides a high grade of comfort. The driver's seat is equipped with an air-sprung vibration system. The weight adjustment is infinitely. Heated seats 24V, lumbar support, seat cushion adjustment, seat allocation recognition and headrest are included in the standard delivery. All adjustment controls are positioned ergonomically within easy access. The metal parts are protected against corrosion and painted black.

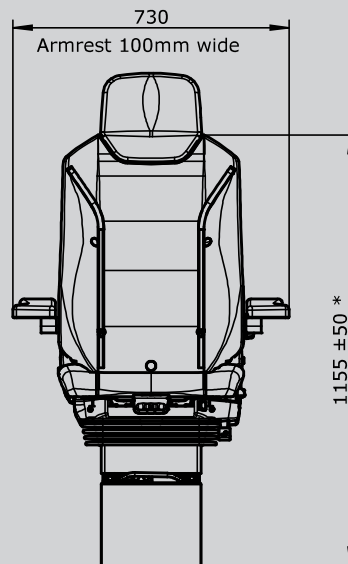
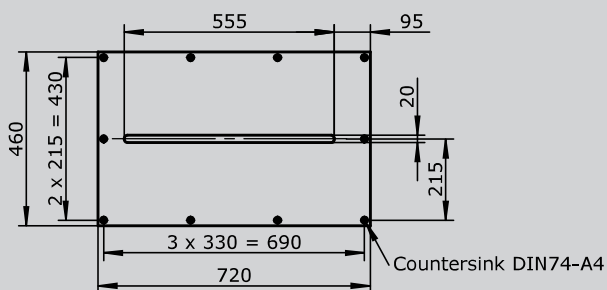
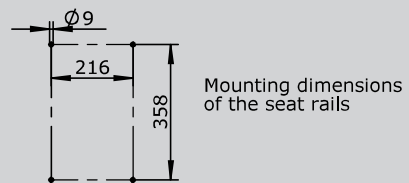
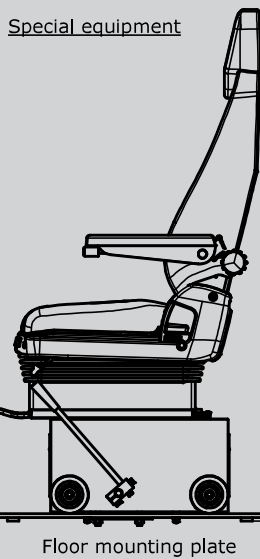
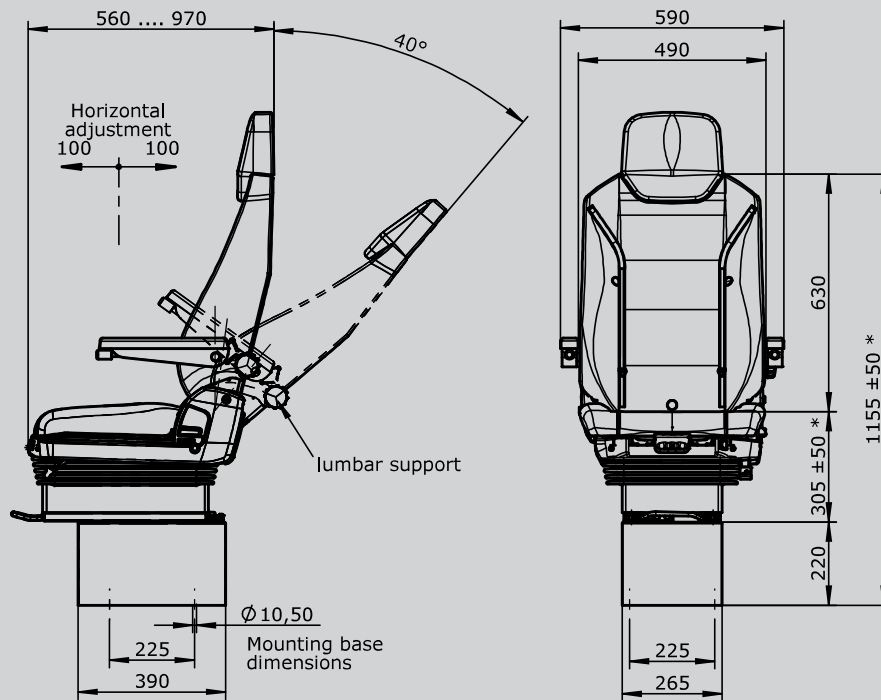
Technical data:

Suspension stroke	80 mm
Weight adjustment	50 - 150 kg
Horizontal adjustment	200 mm
Inclination of the backrest	-12°/+40°
Slope adjustment	-2°/+14°
Height adjustment	100 mm
Seat cushion adjustment	60 mm



Example

	KFS 12	-A1	-S1
Driver seat			
KFS 12 Driver seat with textile cover black			
Attachments			
A1 Armrest adjustable (2 pieces) 50 mm wide			
A2 Armrest continuously adjustable (2 pieces) 100 mm wide			
S1 Safety belt 2 point fixing (automatic)			
S3 Safety belt 2 point fixing (static)			
LK Plate for horizontal manual adjustment of seat adjustable +/-250 mm			
C4 Loose cover for driver seat KFS 11 / KFS 12			
U Console (base)			



* adjustable