

Driver seat KFS 10



The crane driver`s seat KFS 10 is ergonomically designed and provides a high grade of comfort. The driver`s seat has a pneumatic vibration absorption system with weight adjustment by compressor (24V DC 8 Ampere) and a standard seat cushion V-cut. Through its three horizontal adjustment, it can be flexibly adapted to very many applications. All adjustment controls are positioned ergonomically within easy access. The metal parts are protected against corrosion and painted black.

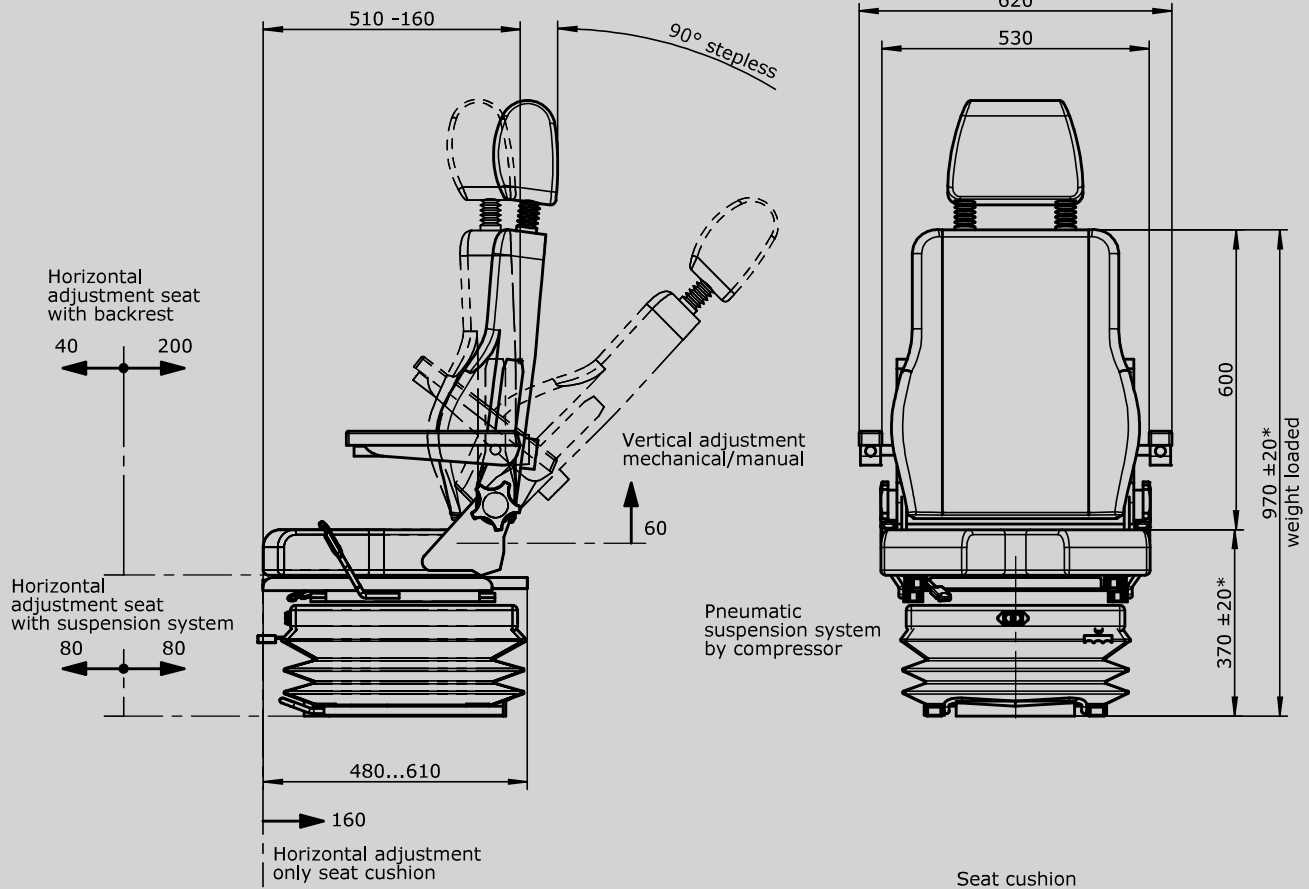
Technical data:

Suspension stroke	80 mm
Weight adjustment	50 - 150 kg (pneumatic) 50 - 130 kg (mechanical)
Horizontal adjustment	
Seat with suspension system	160 mm
Seat part individual	240 mm
Seat cushion	160 mm
Inclination of the backrest	max. 90°
Height and slope adjustment	40 mm



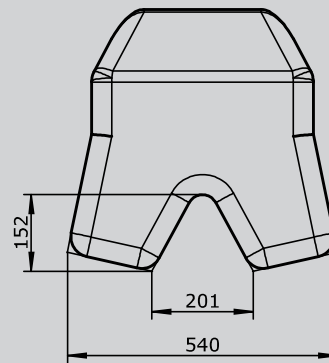
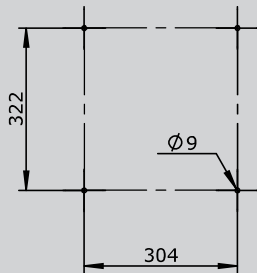
Example

	KFS 102	-A1	-L2	-S2	-R1
Driver seat					
KFS 101	Driver seat with air-permeable artificial leather cover black with V-cut				
KFS 102	Driver seat with textile cover black with V-cut				
Attachments					
K	Headrest				
A1	Armrest adjustable (2 pieces) 50 mm wide				
A2	Armrest continuously adjustable (2 pieces) 100 mm wide				
L1	Lumbar support manual adjustment - 2 movement				
L2	Lumbar support manual adjustment - 4 movement				
B	Seat allocation recognition				
H	Seat cushion and backrest with heating element 24 V DC 47W				
S1	Safety belt 2 point fixing (automatic)				
S2	Safety belt 4 point fixing (headrest required)				
S3	Safety belt 2 point fixing (static)				
U	Console (base)				
C3	Loose cover for driver seat KFS 10 with V-cut				
R1	Price reduction pneumatic vibration absorption system				
R2	Seat cushion without V-cut				



Seat cushion
V-cutout

Mounting dimensions seat



* adjustable