

Palm grip B5



The palm grip B5 has different equipment options for many requirements. It is compatible with our multi-axis controller or mounted on hydraulic drives. The palm grip has a highly flexible single wire (4 respectively 8 x 0,25 mm², 450 mm long). The mounting piece can be supplied with a tapped hole M10 (standard) or M8.

Technical data

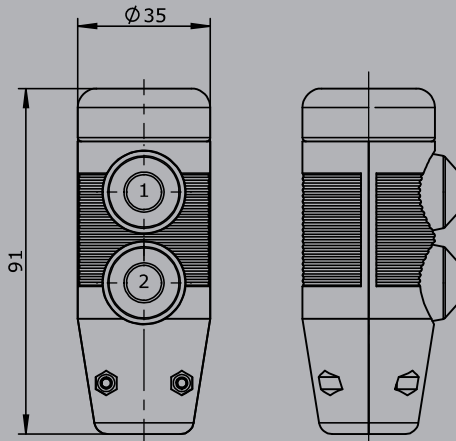
Operating temperature	-40°C to +85°C
Degree of protection	IP54
Contact complement	3A 24 V DC13 (*1 1,5A 24 V DC13)



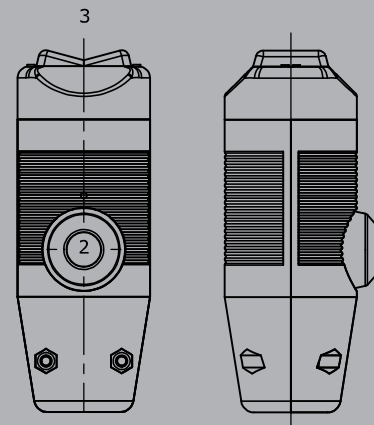
	Example			
	B5	-2D	W	-X
Basic unit				
B5 Palm grip				
Digital actuating element				
D Push button top				
D Push button side *1				
W Rocker switch top T-0-T				
W Rocker switch top R-0-T				
W Rocker switch top R-0-R				
T Push button top mechanical operation <i>(Only possible in combination with multi-axis controller or single-axis controller!)</i>				
Special model				
X Special / customer specified				



Edition:
Push button installed Pos. 1,2



Edition:
Rocker switch installed Pos. 3
Push button installed Pos. 2



Edition:
Push button installed Pos. 2,3

