

Palm grip B34



The palm grip B32 has different equipment options for many requirements. It is compatible with our multi-axis controller or mounted on hydraulic drives. The palm grip has a highly flexible single wire (0,1 mm², 450 mm long). The mounting piece for the drive rod can be supplied with a tapped hole 12 mm (standard) or 10 mm.



Technical data

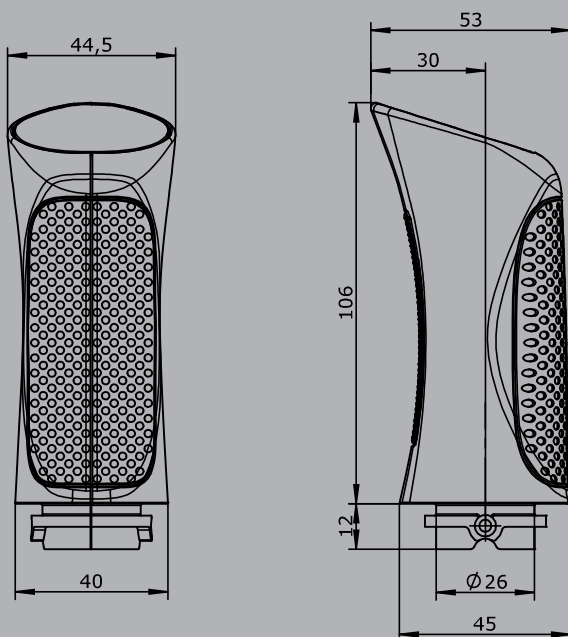
Operating temperature	-40°C to +85°C
Degree of protection	Control element up to IP67
Contact complement	1,5A 24 V DC 13 (*1 0,1A 24 V DC13)

2

	B34L	-2D	W	S12	-X
Basic unit					
B34L	Palm grip left				
B34R	Palm grip right				
Digitale actuating element					
D	Push button KDA21 *1				
	Colour: red, black, yellow, green, blue, white, orange				
HD	Hall-push button (see page 154)				
W	Rocker switch T-0-T, Colour: red, black, yellow, blue, white				
W	Rocker switch 0-T, Colour: red, black, yellow, blue, white				
W	Rocker switch R-0-T, Colour: red, black, yellow, blue, white				
W	Rocker switch R-0-R, Colour: red, black, yellow, blue, white				
W	Rocker switch 0-R, Colour: red, black, yellow, blue, white				
W	Rocker switch R-R, Colour: red, black, yellow, blue, white				
K	Lever switch				
Analog actuating element					
S12	Hall-Thumb rocker (see page 100)				
	Output 0,5...2,5...4,5 V inverse dual				
Special model					
X	Special / customer specified				

Technical details may vary based on configuration or application! Technical data subject to change without notice!

B34



Edition:
 Push button installed Pos. 1-3
 Rocker switch installed Pos. 4-5
 Lever switch installed Pos. 6
 Position rocker switch or push button left hand ()

Edition:
 Push button installed Pos. 1-3,4,5
 Lever switch installed Pos. 6

