

Palm grip B33



The palm grip B32 has different equipment options for many requirements. It is compatible with our multi-axis controller or mounted on hydraulic drives. The palm grip has a highly flexible single wire (0,1 mm², 450 mm long). The mounting piece for the drive rod can be supplied with a tapped hole 10 mm.

Technical data

Operating temperature	-40°C to +85°C
Degree of protection	Control element up to IP67
Contact complement	*1 0,1A 24 V DC13

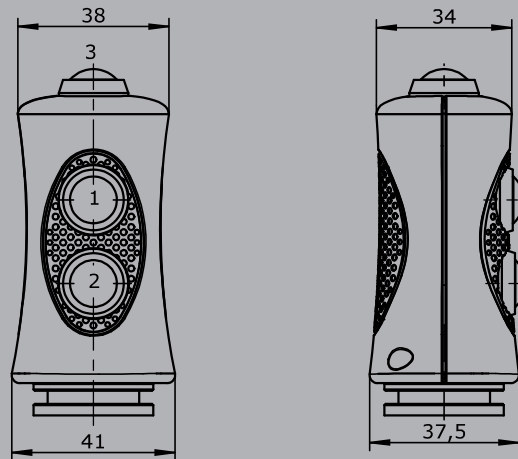


2

	B33L	-2D	S12	-X
Basic unit				
B33L Palm grip left				
B33R Palm grip right				
Digitale actuating element				
D Push button KDA21 *1				
Colour: red, black, yellow, green, blue, white, orange				
HD Hall-push button (see page 154)				
Analog actuating element				
S12 Hall-Thumb rocker (see page 100)				
Output 0,5...2,5...4,5 V inverse dual				
Special model				
X Special / customer specified				

B33

Edition:
Push button installed Pos. 1,2,3



Edition:
Rocker switch installed Pos. 1+2

