

Palm grip B31



The palm grip B31 has different equipment options for many requirements. It is compatible with our multi-axis controller or mounted on hydraulic drives. The palm grip has a highly flexible single wire (0,1 mm², 450 mm long).



Technical data

Operating temperature	-40°C to +85°C
Degree of protection	Control element up to IP67
Contact complement	1,5A 24 V DC13 (*1 0,1A 24 V DC13)

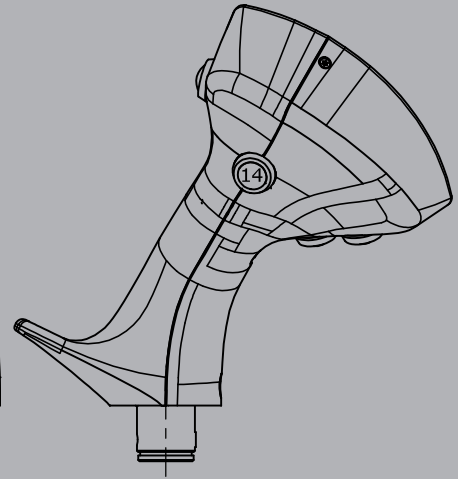
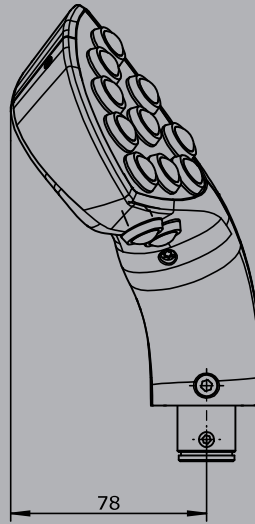
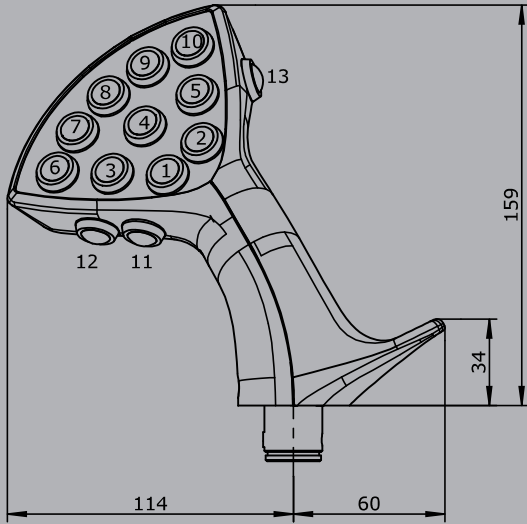
2

	B31R	-2D	Example W	KT	S12	V21	-X
Basic unit							
B21R Palm grip right							
Digital actuating element							
D Push button KDA21 *1 Colour: red, black, yellow, green, blue, white, orange							
HD Hall-push button (see page 154)							
W Rocker switch momentary (T) or maintained (R), colours: red, black, yellow, blue, white Mechanical functions: T-0-T, 0-T, R-0-T, R-0-R, 0-R, R-R							
KT Cross switch T-0-T / T-0-T							
Analog actuating element							
S12 Hall-Thumb rocker (see page 100) Output 0,5...2,5...4,5 V inverse dual							
V21 Hall-minijoystick (see page 45) Output 0,5...2,5...4,5 V inverse dual							
CAN							
Supply voltage	9-32 V DC						
Idle current consumption	80 mA (24 V DC)						
Current carrying capacity	External digital output for LEDs 5 mA - 30 mA (dependent on the number of LED`s)						
Protocol	CANopen CIA DS 301, SAE J1939 or CANopen Safety CIA 304						
Baud rate	20 kBit/s to 1 Mbit/s (standard 250 kBit/s)						
Output value	255...0...255						
CAN							E313 1
- 8 analoge joystick axis							
- 48 digital joystick functions							
Additional with 16 LED-outputs							2
Additional with 32 LED-outputs							3
CANopen Safety							E412 1
- 8 analog joystick axis							
- 48 digital joystick functions							
Additional with 16 LED-outputs							2
Additional with 32 LED-outputs							3
Special model							
X Special / customer specified							

Technical details may vary based on configuration or application! Technical data subject to change without notice!

B31

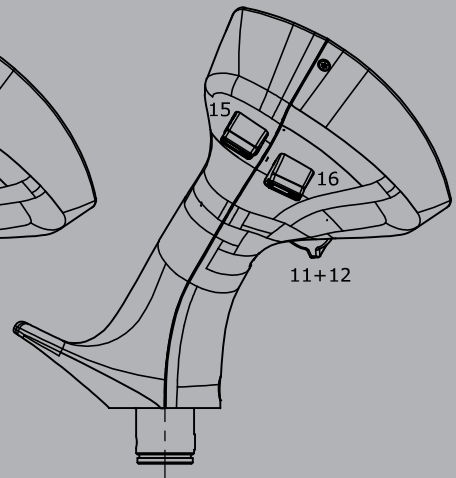
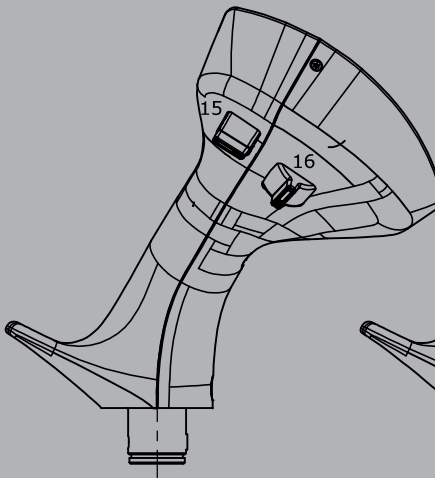
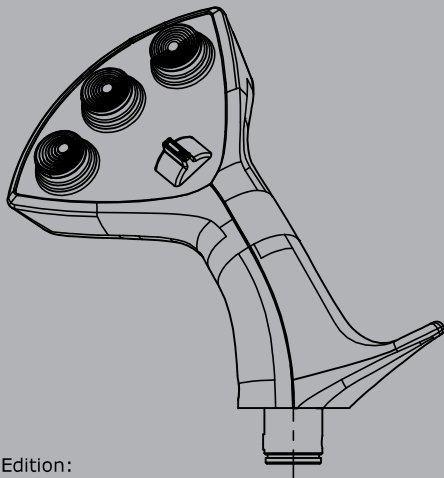
Edition:
Push button installed Pos. 1-14



Edition:
Multi-axis controller V21
installed Pos. 6+7, Pos.8, Pos. 9+10
Rocker switch installed Pos. 1+2

Edition:
Rocker switch
installed Pos. 15, 16 horizontal

Edition:
Rocker switch
installed Pos.11+12, 15, 16 vertical



Edition:
Multi-axis controller V21
Installed Pos. 6+7, Pos.8, Pos. 9+10
Push button installed Pos. 1-5

