

Palm grip B30



The palm grip B30 has different equipment options for many requirements. It is compatible with our multi-axis controller or mounted on hydraulic drives. The palm grip has a highly flexible single wire (0,1 mm², 450 mm long). The mounting piece for the drive rod can be supplied with a tapped hole 12 mm (standard) or 10 mm.



Technical data

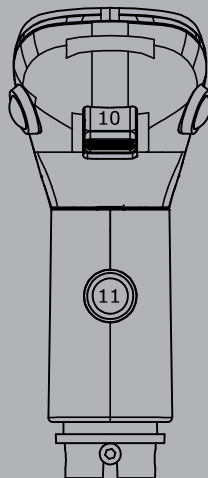
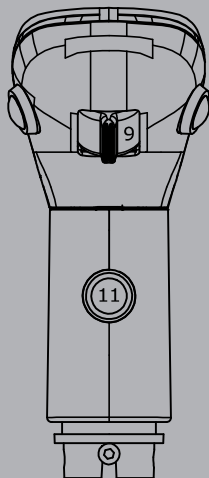
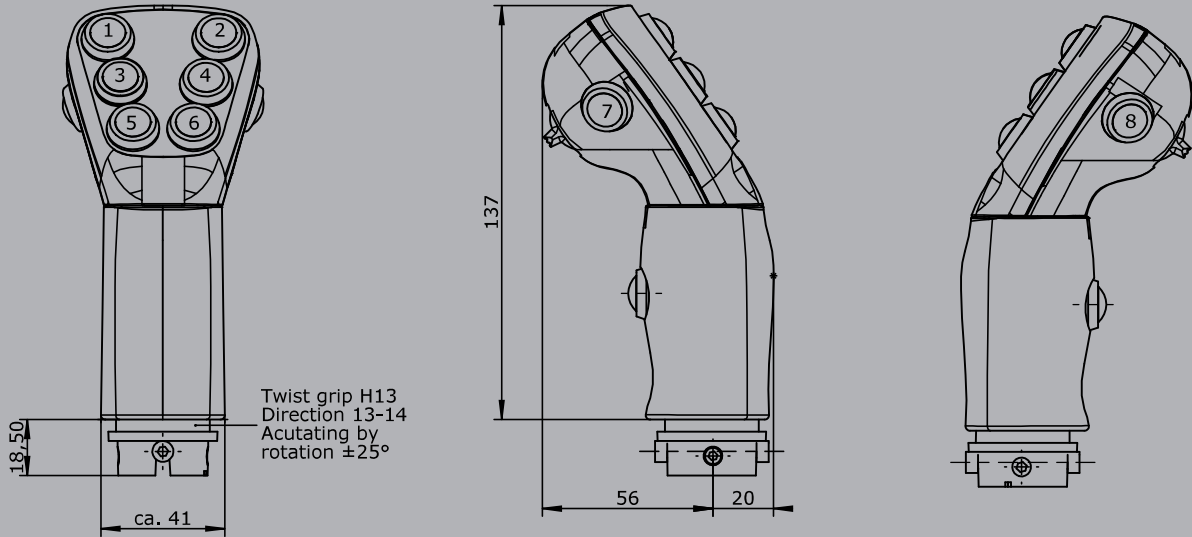
Operating temperature	-40°C to +85°C
Degree of protection	Control element up to IP67
Contact complement	1,5A 24 V DC 13 (*1 0,1A 24 V DC13)

	B30	-2D	W	SR	SE	S12	H13	-X
Basic unit								
B30	Palm grip							
Digital actuating element								
D	Push button KDA21 *1 Colour: red, black, yellow, green, blue, white, orange							
HD	Hall-push button (see page 154)							
W	Rocker switch T-0-T, Colour: red, black, yellow, blue, white							
W	Rocker switch 0-T, Colour: red, black, yellow, blue, white							
W	Rocker switch R-0-T, Colour: red, black, yellow, blue, white							
W	Rocker switch R-0-R, Colour: red, black, yellow, blue, white							
W	Rocker switch 0-R, Colour: red, black, yellow, blue, white							
W	Rocker switch R-R, Colour: red, black, yellow, blue, white							
SR	Sliding switch R-O-R							
ST	Sliding switch T-0-T							
SE	Sensor button capacitive with external control electronics							
S	Sensor button capacitive without external control electronics (Consistent with V85 / VV85 with interface E1xx to E6xx, E907 and V25/V27 with interfaces E3xx + E4xx)							
Analog actuating element								
S12	Hall-Thumb rocker (see page 100) Output 0,5...2,5...4,5 V inverse dual							
V21	Hall-minijoystick (see page 45) Output 0,5...2,5...4,5 V inverse dual							
H13	Hall-rotary grip Output 0,5...2,5...4,5 V inverse dual							
Special model								
X	Special / customer specified							

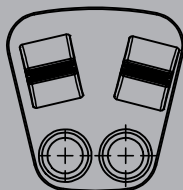


B30

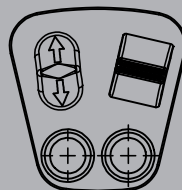
Push button
installed Pos. 1 - 8 +11
Rocker switch
installed Pos. 9+10



Edition:
installed Pos. 3+1
Rocker switch
installed Pos. 2+4
Rocker switch



Edition:
installed Pos. 3+1
Sliding switch
installed Pos. 2+4
Rocker switch



Edition:
installed Pos. 2+4
Multi-axis controller V21
installed Pos. 5+6
Rocker switch

