

Palm grip B29



The palm grip B29 has different equipment options for many requirements. It is compatible with our multi-axis and single-axis controller or mounted on hydraulic drives. The palm grip has a highly flexible single wire (0,1 mm², 450 mm long). The mounting piece for the drive rod can be supplied with a tapped hole 12 mm (standard) or 10 mm.

Technical data

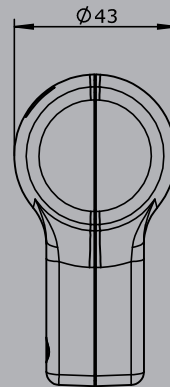
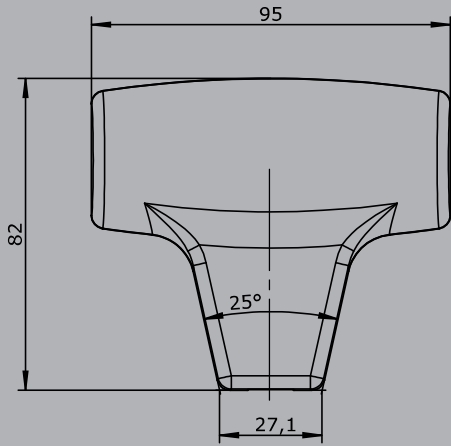
Operating temperature	-40°C to +85°C
Degree of protection	Control element up to IP67
Contact complement	0,1A 24 V DC13



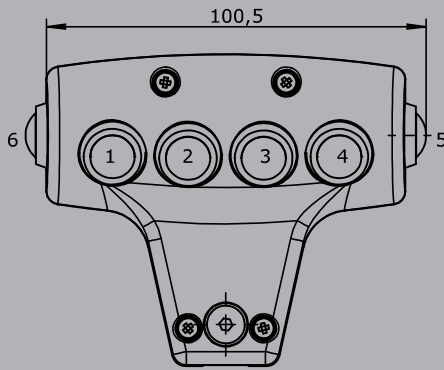
	Example		
	B29	-2D	-X
Basic unit			
B29 Palm grip			
Digital actuating element			
D Push button KDA21 Colour: red, black, yellow, green, blue, white, orange			
SE Sensor button capacitive with external control electronics			
S Sensor button capacitive without external control electronics (Consistent with V85 / VV85 with interface E1xx to E6xx, E907 and V25/V27 with interfaces E3xx + E4xx)			
Special model			
X Special / customer specified			



B29



Edition:
Push button installed Pos. 1-6



Edition:
Sensor installed Pos. 6,
Push button installed Pos. 3,4

Edition:
Sensor installed Pos. 5,
Push button installed Pos. 1,2

