

Palm grip B23



The palm grip B23 has different equipment options for many requirements. It is compatible with our multi-axis controller or mounted on hydraulic drives. The palm grip has a highly flexible single wire (0,1 mm², 450 mm long). The mounting piece for the drive rod can be supplied with a tapped hole 12 mm (standard) or 10 mm.

Technical data

Operating temperature	-40°C to +85°C
Degree of protection	Control element up to IP67
Contact complement	1,5A 24 V DC13 (*1 0,1A 24 V DC13)



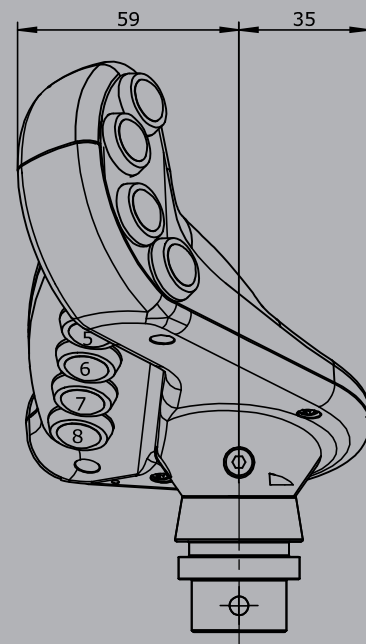
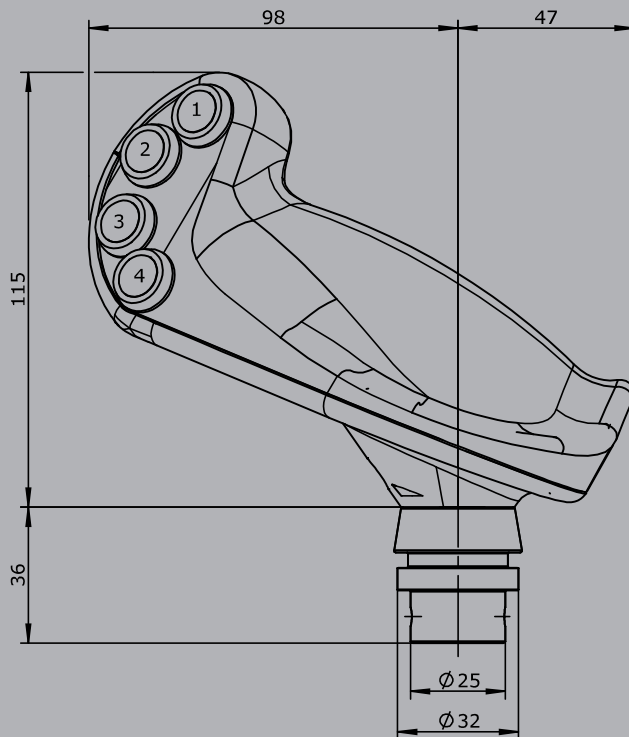
2

	B23R	-2D	W	V21	-X
Basic unit					
B23L	PalM grip left				
B23R	PalM grip right				
Digital actuating element					
D	Push button KDA21 *1				
	Colour: red, black, yellow, green, blue, white, orange				
W	Rocker switch T-0-T, Colour: red, black, yellow, blue, white				
W	Rocker switch 0-T, Colour: red, black, yellow, blue, white				
W	Rocker switch R-0-T, Colour: red, black, yellow, blue, white				
W	Rocker switch R-0-R, Colour: red, black, yellow, blue, white				
W	Rocker switch 0-R, Colour: red, black, yellow, blue, white				
W	Rocker switch R-R, Colour: red, black, yellow, blue, white				
Analog actuating element					
S12	Hall-Thumb rocker (see page 100)				
	Output 0,5...2,5...4,5 V inverse dual				
V21	Hall-mini joystick (see page 45)				
	Output 0,5...2,5...4,5 V inverse dual				
Special model					
X	Special / customer specified				

Technical details may vary based on configuration or application! Technical data subject to change without notice!

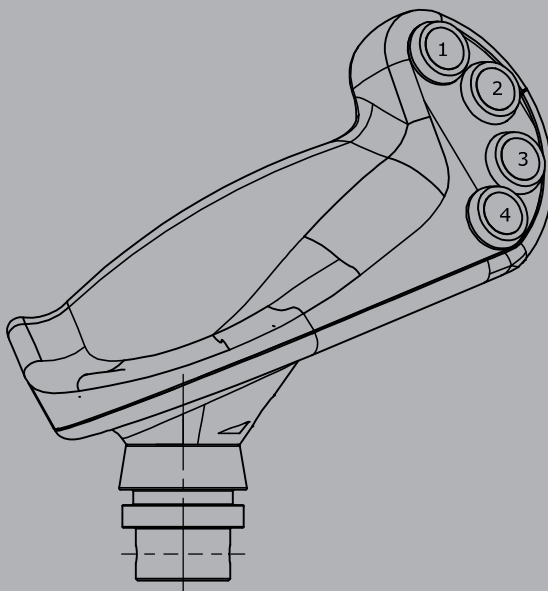
B23R

Push button installed Pos. 1 - 8



B23L

Push button installed Pos. 1 - 8



Edition :
Multi-axis controller V21
Push button installed Pos. 5,6,7,8

