

# Palm grip B22



The palm grip B22 has different equipment options for many requirements. It is compatible with our multi-axis controller or mounted on hydraulic drives. The palm grip has a highly flexible single wire (0,1 mm<sup>2</sup>, 450 mm long). The mounting piece for the drive rod can be supplied with a tapped hole 7 mm.

## Technical data

Operating temperature	-40°C to +85°C
Degree of protection	Control element up to IP67
Contact complement	1,5 24 V DC13 (*1 0,1A 24 V DC13)

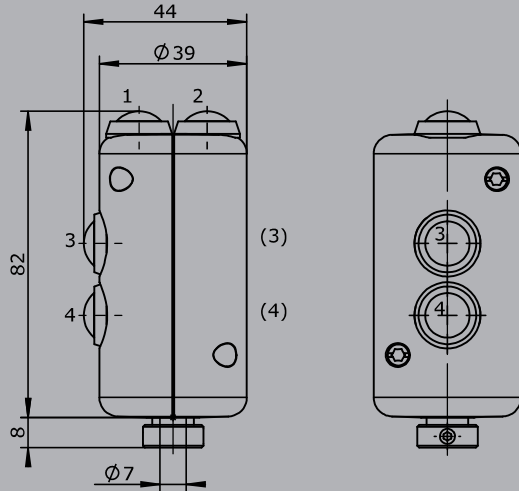


2

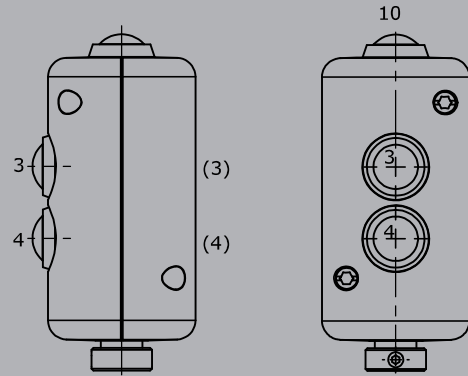
	B22AL	Example -4D	W	-X
<b>Basic unit</b>				
B22L	Palm grip left			
B22R	Palm grip right			
B22AL	Palm grip left with support			
B22AR	Palm grip right with support			
<b>Digital actuating element</b>				
D	Push button KDA21 *1 Colour: red, black, yellow, green, blue, white, orange			
W*	Rocker switch T-0-T			
W*	Rocker switch 0-T			
W*	Rocker switch R-0-T			
W*	Rocker switch R-0-R			
W*	Rocker switch 0-R			
W*	Rocker switch R-R <i>*Only possible with version with support!</i>			
SE	Sensor button capacitive with external control electronics			
S	Sensor button capacitive without external control electronics (Consistent with V85 / VV85 with interface E1xx to E6xx, E907 and V25/V27 with interfaces E3xx + E4xx)			
<b>Special model</b>				
X	Special / customer specified			

**B22**

Edition:  
Push button installed Pos. 1,2,3,4  
Position push button left hand ( )

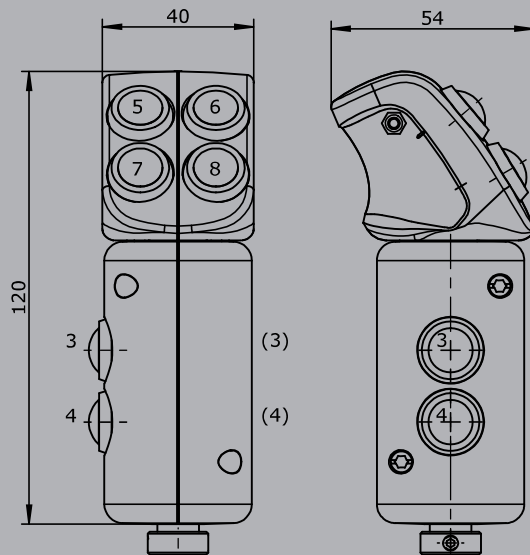


Edition:  
Push button installed Pos. 3,4,10  
Position push button left hand ( )



**B22A**

Edition:  
Push button installed Pos. 3,4,5,6,7,8  
Position push button left hand ( )



Edition:  
Push button installed Pos. 3,4,5,6,9  
Rocker switch installed Pos. 7-8  
Position push button left hand ( )

