

Palm grip B20



The palm grip B20 has different equipment options for many requirements. It is compatible with our multi-axis controller or mounted on hydraulic drives. The palm grip has a highly flexible single wire (0,1 mm², 450 mm long). The mounting piece for the drive rod can be supplied with a tapped hole 12 mm.

Technical data

Operating temperature	-40°C to +85°C
Degree of protection	Control element up to IP67
Contact complement	1,5A 24 V DC13 (*1 0,1A 24 V DC13)

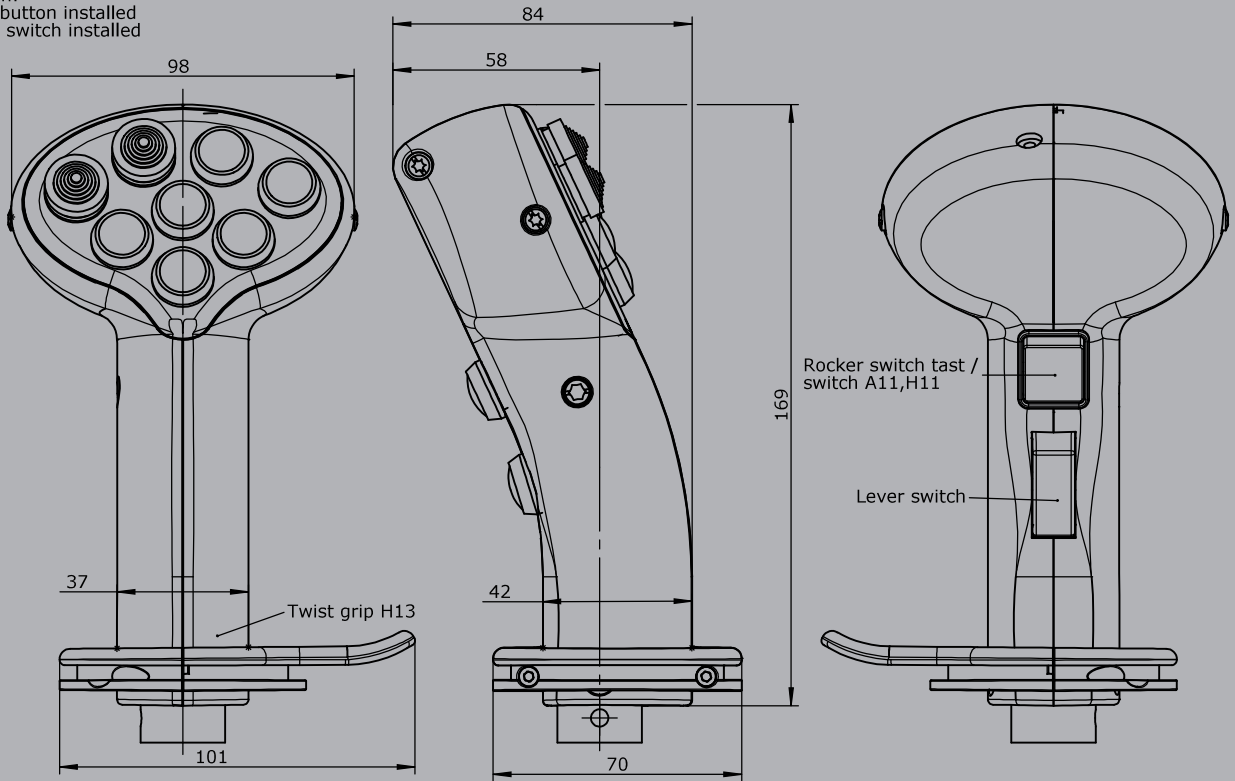


2

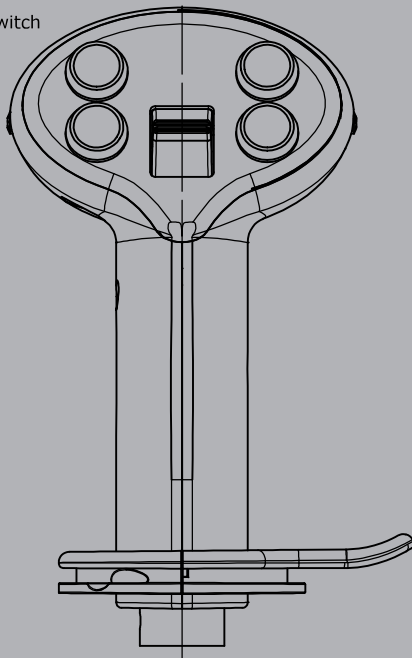
	B20L	-2D	W	K	V21	H13	-X
Basic unit							
B20L	Palm grip left with hand pad						
B20R	Palm grip right with hand pad						
Digital actuating element							
D	Push button KDA21 *1 Colour: red, black, yellow, green, blue, white, orange						
HD	Hall-push button (see page 154)						
W	Rocker switch T-0-T, Colour: red, black, yellow, blue, white						
W	Rocker switch 0-T, Colour: red, black, yellow, blue, white						
W	Rocker switch R-0-T, Colour: red, black, yellow, blue, white						
W	Rocker switch R-0-R, Colour: red, black, yellow, blue, white						
W	Rocker switch 0-R, Colour: red, black, yellow, blue, white						
W	Rocker switch R-R, Colour: red, black, yellow, blue, white						
K	Lever switch						
KT	Cross switch T-0-T / T-0-T						
SE	Sensor button capacitive with external control electronics						
S	Sensor button capacitive without external control electronics (Consistent with V85 / VV85 with interface E1xx to E6xx, E907 and V25/V27 with interfaces E3xx + E4xx)						
Analog actuating element							
S12	Hall-thumb rocker (see page 100) Output 0,5...2,5...4,5 V inverse dual						
V21	Hall-mini joystick (see page 45) Output 0,5...2,5...4,5 V inverse dual						
P9	Thumbwheel with potentiometer						
H13	Hall-Rotary grip Output 0,5...2,5...4,5 V inverse dual						
Special model							
X	Special / customer specified						
Attachments							
Z01	Bellow KMD 109				10300009		
Z02	Bellow KMD 190				10300093		
Z03	Rosette KBF 905 with 4 screws M5 x 15 necessary for bellow KMD 190				5209900404		

Technical details may vary based on configuration or application! Technical data subject to change without notice!

Edition:
Push button installed
Cross switch installed



Edition:
Hall rocker switch
Push button



Edition:
Multi-axis controller V21
Potentiometer drive PA9
Push button

