

Pedal-controller P10/P11/P12



The pedal-controller P10/P11/P12 is a rugged switching device for electro-hydraulic. The modular design enables the switching device to be used universally. The P10/P11/P12 is resistant to oil, maritime, climate, ozone and UV radiation.

Technical data

Mechanical life P10	8 million operating cycles
Operation temperature	-40°C to +85°C
Degree of protection P10	IP66

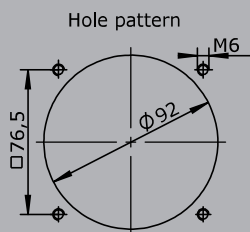
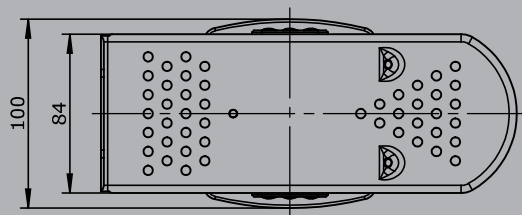
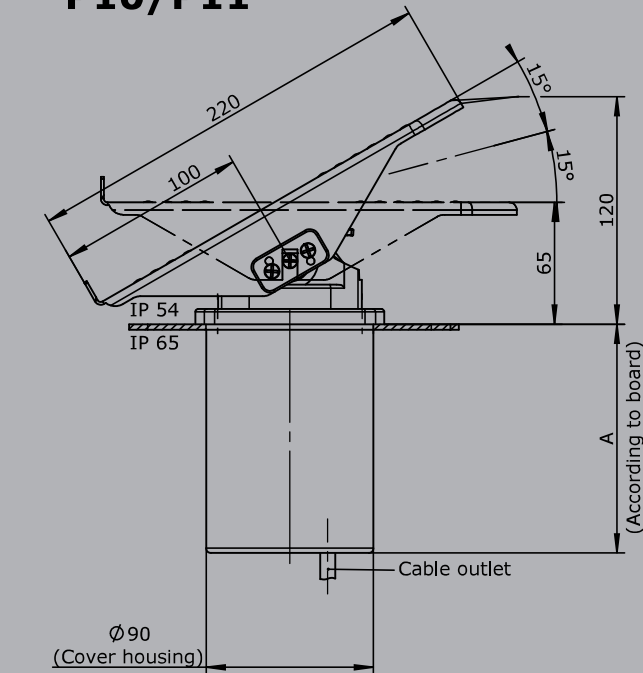


	P10	-1 Z	P	-A01	P224	-B	-X
Basic unit							
P10	Pedal-controller, 0-30°						
P11	Pedal-controller, 15°-0-15°						
P12	Pedal-controller, 0-15°						
Detent							
	Without						
R4	1-0-1						
Direction 1-2							
1	1 contact	Standard contact - arrangement see page 140					
2	2 contacts	z.B.					
3	3 contacts	MS11	A01				
		MS12	A02				
		MS13	A03				
		MS21	A05				
		<i>A99 contact - arrangement according customer request</i>					
Z	Spring return						
R	Friction brake						
(P)	Possibility of mounting potentiometer (Gessmann-types)						
P	Potentiometer	P222	T362	1 kOhm	I max. 1 mA		
		P223	T362	2 kOhm	I max. 1 mA		
		P224	T362	5 kOhm	I max. 1 mA		
		<i>More potentiometers on request!</i>					
Cover housing							
B	Cover housing with cable entry M20						
Special model							
X	Special / customer specified						

Example

4

P10/P11



P12

