

Multi-axis controller VA6



The multi-axis controller VA6 is available in either single-axis or multi-axis options and is a robust explosion proof controller used commonly in crane and hoisting applications. The modular design enables the switching device to be used universally. The VA6 is resistant to oil, maritime conditions e.g. offshore / vessels, UV radiation typically from the sun.

Technical data

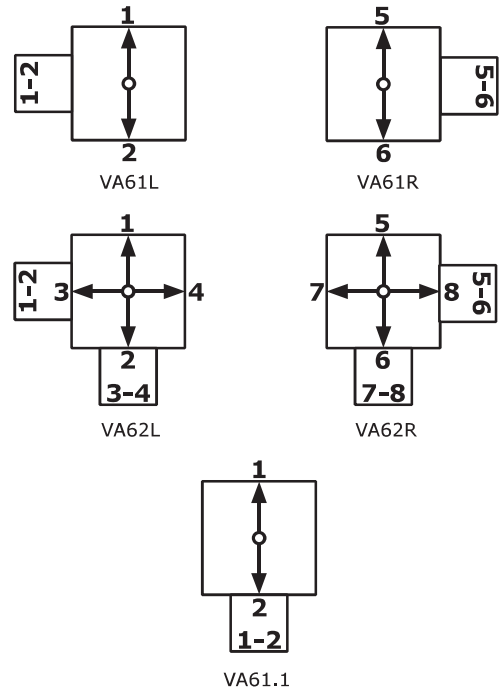
| | |
|-----------------------|--|
| Mechanical life VA6 | 10 million operating cycles |
| Operation temperature | -40°C to +85°C |
| Degree of protection | IP54 front IP66 (microswitch and potentiometer) |
| Identifications | II 2G IIC T5 or T6 II 2D T85° or T95°C |
| Group of devices | II |
| Equipment category | 2D and 2G |
| Certificate | OBAC 17 ATEX 0126X |



| | VA62L | S5 | P | T | -01 Z P | +03 R | -A05 P144 | +A110 |
|---|---|----|---|---|---------|-------|-----------|-------|
| Basic unit | <div style="text-align: center; margin-bottom: 10px;"><i>Example</i></div> <div style="font-family: monospace; font-size: 1.2em; margin-bottom: 10px;">VA62L S5 P T -01 Z P +03 R -A05 P144 +A110</div> | | | | | | | |
| VA62L 2-axis left | | | | | | | | |
| Control-handle extended | | | | | | | | |
| S5 -20 mm | | | | | | | | |
| Gate | | | | | | | | |
| P Cross gate | | | | | | | | |
| Grip / palm grip | | | | | | | | |
| T Dead man | | | | | | | | |
| Axis 1 (direction 1-2) | <div style="text-align: center; margin-bottom: 10px;"><i>Example</i></div> <div style="font-family: monospace; font-size: 1.2em; margin-bottom: 10px;">VA62L S5 P T -01 Z P +03 R -A05 P144 +A110</div> | | | | | | | |
| 01 2 contacts | | | | | | | | |
| Z Spring return | | | | | | | | |
| P Potentiometer | <div style="text-align: center; margin-bottom: 10px;"><i>Example</i></div> <div style="font-family: monospace; font-size: 1.2em; margin-bottom: 10px;">VA62L S5 P T -01 Z P +03 R -A05 P144 +A110</div> | | | | | | | |
| Axis 2 (direction 3-4) | | | | | | | | |
| 03 6 contacts | <div style="text-align: center; margin-bottom: 10px;"><i>Example</i></div> <div style="font-family: monospace; font-size: 1.2em; margin-bottom: 10px;">VA62L S5 P T -01 Z P +03 R -A05 P144 +A110</div> | | | | | | | |
| R Friction brake | | | | | | | | |
| Description axis 1 (direction 1-2) | <div style="text-align: center; margin-bottom: 10px;"><i>Example</i></div> <div style="font-family: monospace; font-size: 1.2em; margin-bottom: 10px;">VA62L S5 P T -01 Z P +03 R -A05 P144 +A110</div> | | | | | | | |
| A05 Arrangement MS21 | | | | | | | | |

| | VA62L | S5 | P | T |
|--------------------------------|---------------------------------------|----|---|---|
| Basic unit | | | | |
| VA61L | 1-axis left | | | |
| VA61R | 1-axis right | | | |
| VA61.1 | 1-axis | | | |
| VA62L | 2-axis left | | | |
| VA62R | 2-axis right | | | |
| Control-handle extended | | | | |
| | Standard 180 mm | | | |
| S3 | -40 mm | | | |
| S5 | -20 mm | | | |
| S8 | +20 mm | | | |
| Gate | | | | |
| P | Cross gate | | | |
| P X | Special gate | | | |
| Grip / palm grip | | | | |
| | Knob <i>(included in basic unit!)</i> | | | |
| M | Mechanical zero interlock | | | |
| MN | Mechanical zero interlock (push down) | | | |
| T | Dead man | | | |
| H | Signal button | | | |
| D | Push button | | | |
| DV | Flush push button | | | |

Identification of the installation variants with switching directions:



| | VA62L | S5 | P | T | -01 Z P | + 03 R | A05 | P144 | + A110 |
|---|---|------|---|----------------------|---------|-------------|-----|------|--------|
| Axis 1: direction 1-2 left / direction 5-6 right | | | | | | | | | |
| | (contacts gold-plated 2A 250V AC15, II 2G Ex d IIC T6, connecting cable 6 m) | | | | | | | | |
| 01 | 2 contacts | | | | | | | | |
| 02 | 4 contacts | | | | | | | | |
| 03 | 6 contacts | | | | | | | | |
| 04 | 8 contacts | | | | | | | | |
| 05 | 10 contacts | | | | | | | | |
| 06 | 12 contacts | | | | | | | | |
| | | | | | | | | | |
| Z | Spring return | | | | | | | | |
| R | Friction brake | | | | | | | | |
| P | Potentiometer Ex | P144 | | T1350 2 x 5 kOhm | | I max. 1 mA | | | |
| | | P145 | | T1350 2 x 10 kOhm | | I max. 1 mA | | | |
| | | | | II 2G Ex d IIC T6 Gb | | | | | |
| | | | | Connecting cable 6 m | | | | | |



VA62L S5 P T -01 Z P +03 R -A05 P144 +A110

Axis 2: direction 3-4 left / Direction 7-8 right

(not applicable for VA61, VA61.1)

(contacts gold-plated 2A 250 V AC15, II 2G Ex d IIC T6, connection cable 6 m)

| | | | |
|----|-------------|---|---------|
| 01 | 2 contacts | Standard contact - arrangement see page 140 | |
| 02 | 4 contacts | z.B. | |
| 03 | 6 contacts | A980 | MS00 |
| 04 | 8 contacts | A05 | MS21 |
| 05 | 10 contacts | A0500 | MS21-00 |
| 06 | 12 contacts | A110 | MS24-0 |
| | | <i>A99 contact - arrangement according customer request</i> | |

Z Spring return

R Friction brake

P Potentiometer Ex P144 T1350 2 x 5 kOhm I max. 1 mA

P145 T1350 2 x 10 kOhm I max. 1 mA

II 2G Ex d IIC T6 Gb
connection cable 6 m

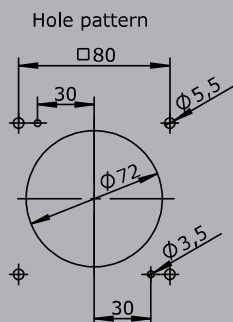
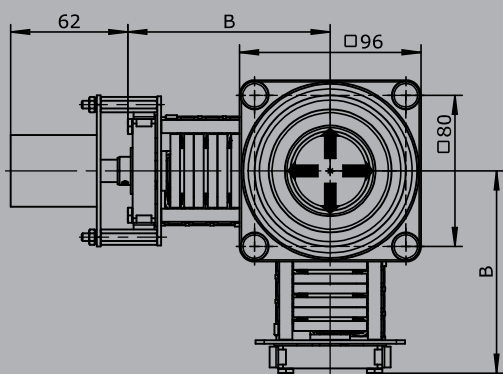
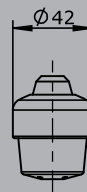
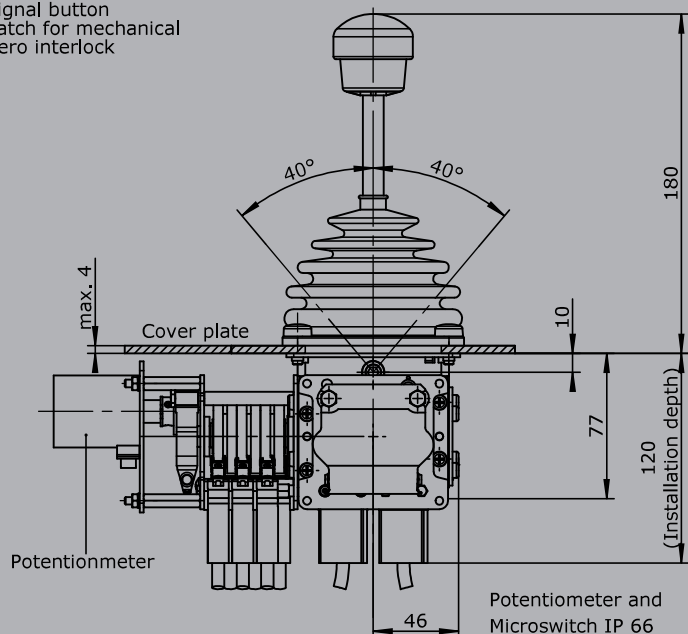
1

Multi-axis controller VA6



T = Dead man's button
H = Signal button
M = Latch for mechanical zero interlock

Knob solid
D = Push button



| Type | No. of contacts | Dim. B |
|------|-----------------|--------|
| 01 | 2 | 82 |
| 02 | 4 | 94 |
| 03 | 6 | 107 |
| 04 | 8 | 119 |
| 05 | 10 | 132 |
| 06 | 12 | 144 |

