

Multi-axis controller V8 / VV8



The multi-axis controller V8/VV8 is available in either single-axis or multi-axis options and is a robust controller used commonly in electro-hydraulic applications. With many output options including voltage, amperage and switch contacts and many handle options the V8 / VV8 series is hugely customisable. The V8 / VV8 is resistant to oil, maritime conditions e.g. offshore / vessels, UV radiation typically from the sun.

Technical data

Mechanical life V8	10 million operating cycles
Mechanical life VV8	20 million operating cycles
Operation temperature	-40°C to +85°C
Degree of protection	up to IP54



	Example	VV8	S5	P	T	-2RP	+3ZP	-B	-A05 P184	+A050 P184	E9012	-X
Basic unit												
VV8	2-axis, reinforced version											
Control-handle extended												
	Standard 160 mm*											
S5	-20 mm											
S8	+20 mm											
	<i>*Only available in combination with handle!</i>											
Gate												
P	Cross gate											
P X	Special gate											
Grip / palm grip												
T	Dead man											
Axis 1												
2	Contacts											
R	Friction brake											
P	Potentiometer											
Axis 2												
3	Contacts											
Z	Spring return											
P	Potentiometer											
Cover housing												
B	Cover housing											
Description axis 1 (direction 1-2)												
A050	Arrangement MSP21-0											
P184	Potentiometer T301 2 x 5 kOhm											
Description axis 2 (direction 3-4)												
A05	Arrangement MSP21											
P184	Potentiometer T301 2 x 5 kOhm											
Interface (description see on the following pages)												
E9012	Potentiometer output for proportional valve PVG32											
Special model												
X	Special / customer specified											

Technical details may vary based on configuration or application! Technical data subject to change without notice!

Combination possibilities with our handles



1

VV8 S5 P T -2 R P + 3 Z P -B - A05 P184 + A050 P184 E9012 - X

	VV8	S5	P	T	-2	R	P	+	3	Z	P	-B	-	A05	P184	+	A050	P184	E9012	-	X
Basic unit																					
V81	1-axis																				
V8	2-axis																				
	reinforced version																				
VV81	1-axis																				
VV8	2-axis																				
Control-handle extended																					
S5	-20 mm																				
S8	+20 mm																				
Gate																					
P	Cross gate																				
P X	Special gate																				
Grip/ palm grip																					
	Knob (included in basic unit!)																				
M	Mechanical zero interlock																				
MH	Mechanical zero interlock + signal contact																				
T	Dead man																				
H	Signal button																				
D	Push button																				
DV	Flush push button																				
B...	Palm grip B... (see page palm grip 157)																				
Axis 1: direction 1-2																					
1	1 contact																				
2	2 contacts																				
3	3 contacts																				
Z	Spring return																				
R	Friction brake only possible with VV8!																				

Technical details may vary based on configuration or application! Technical data subject to change without notice!

(P) Mounting options for potentiometer

P	Potentiometer	P181	T301 2 x 0,5 kOhm	I max. 1 mA
		P182	T301 2 x 1 kOhm	I max. 1 mA
		P183	T301 2 x 2 kOhm	I max. 1 mA
		P184	T301 2 x 5 kOhm	I max. 1 mA
		P185	T301 2 x 10 kOhm	I max. 1 mA
<i>More potentiometers on request!</i>				
H	Hall-Potentiometer	E14811	0,5...2,5...4,5 V / 4,5 V...2,5...0,5	

VV8 S5 P T -2 R P + 3 Z P -B - A05 P184 + A050 P184 E9012 - X

Axis 2: direction 3-4 (not applied for V81/VV81)

1	1 contact	Standard contact - arrangement see page 140		
2	2 contacts	e.g.		
3	3 contacts	A98	MS0	Zero position contact
		A05	MS21	Direction contacts
		A050	MS21-0	Direction contacts + zero position contact

- Z Spring return
- R Friction brake only possible with VV8!
- (P) Mounting options for potentiometer

P	Potentiometer	P181	T301 2 x 0,5 kOhm	I max. 1 mA
		P182	T301 2 x 1 kOhm	I max. 1 mA
		P183	T301 2 x 2 kOhm	I max. 1 mA
		P184	T301 2 x 5 kOhm	I max. 1 mA
		P185	T301 2 x 10 kOhm	I max. 1 mA
<i>More potentiometers on request!</i>				
H	Hall-Potentiometer	E14811	0,5...2,5...4,5V/4,5V...2,5...0,5	

VV8 S5 P T -2 R P + 3 Z P -B - A05 P184 + A050 P184 E9012 - X

Cover housing

B Cover housing

Interface

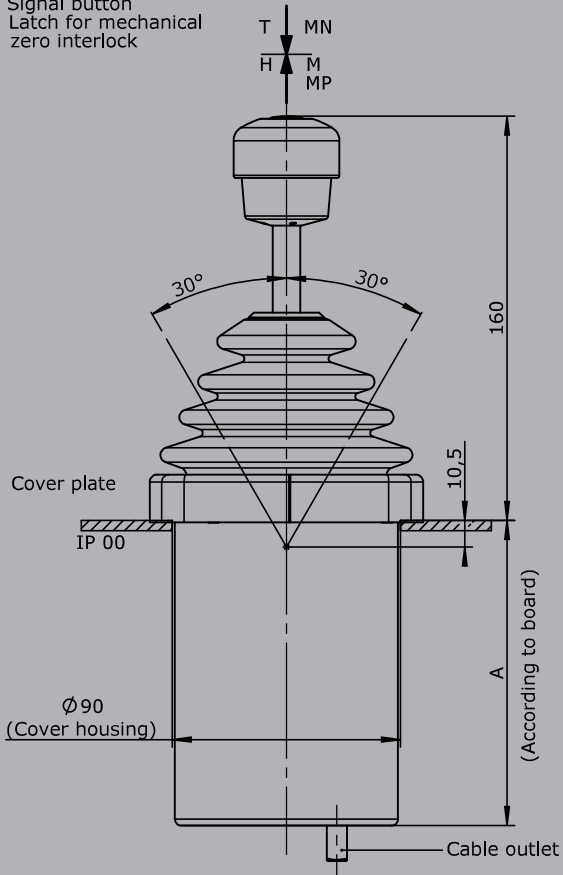
	Potentiometer output	
E901	Potentiometer output for proportional valve PVG32	
	0,25...0,5...0,75 Us	
1		1 axis
2		2 axis
3		3 axis
4		4 axis

Special model

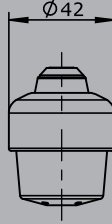
X Special / customer specified

1

T = Dead man's button
H = Signal button
M = Latch for mechanical zero interlock

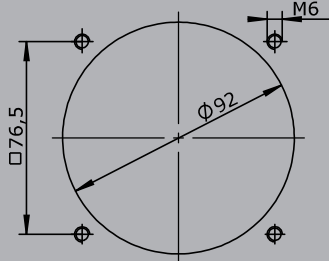
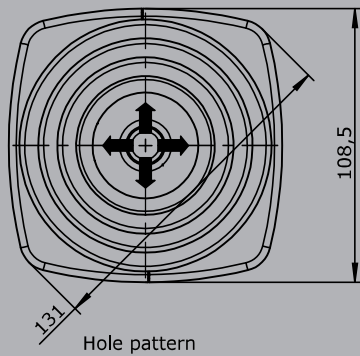
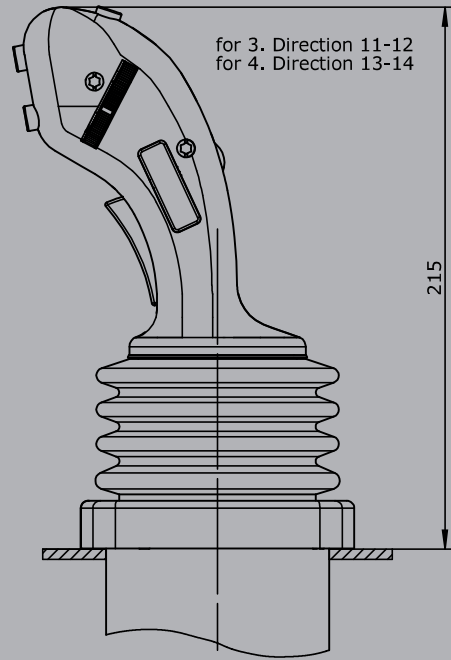


Knob solid
D = Push button



Palm grip B3

for 3. Direction 11-12
for 4. Direction 13-14



Palm grip B25

