

# Multi-axis controller V21



The multi-axis controller V21 is a robust hallsensor switching device for electro-hydraulic applications. The V21 is especially suitable for installation in our ball handles. The multi-axis controller is resistant to oil, maritime conditions e.g. offshore / vessels, UV radiation typically from the sun.

## Technical data

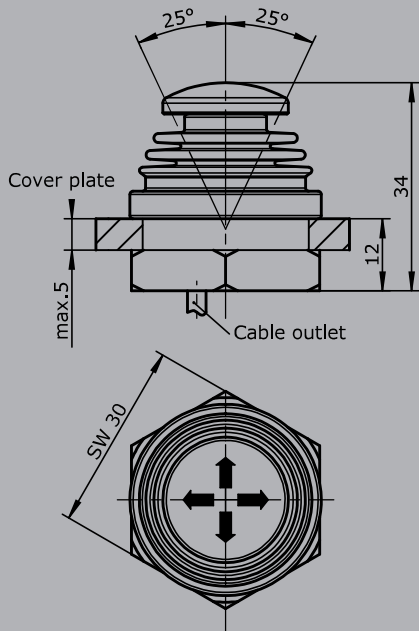
Mechanical life	5 million operating cycles
Operating force	1,6 to 3,5N
Supply voltage	5V DC stabilized
Operation temperature	-40°C to +85°C
Degree of protection	IP67



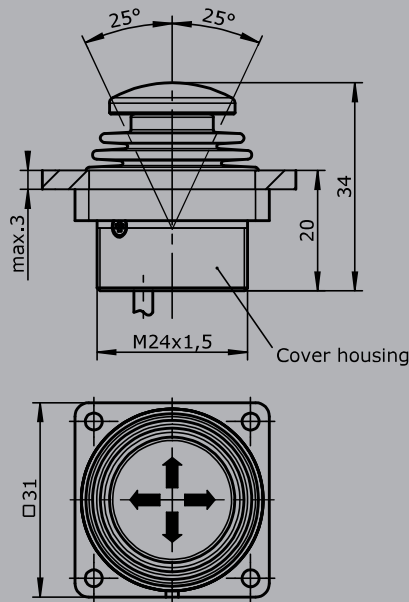
	V21	P	<i>Example</i>	-1	-E1032	-X
<b>Basic unit</b>						
V21.1	1-axis, installation from top with fixing nut					
V21	2-axis, installation from top with fixing nut					
V21.1A	1-axis, with flange, installation from below					
V21A	2-axis, with flange, installation from below					
V21.1B	1-axis, with flange, installation from top					
V21B	2-axis, with flange, installation from top					
<b>Gate</b>						
P	Cross gate					
P X	Special gate					
<b>Knob</b>						
	Standard					
1	KBAD 980					
2	KBAD 1658					
3	KBAD 1690					
<b>Interface</b>						
Voltage output						
0,5...2,5...4,5 V redundant at Ub= 5 V						
	1 axis		E103 1			
	2 axis		2			
Characteristic:						
	Inverse dual (standard)		1			
	Dual		2			
<b>Special model</b>						
X	Special / customer specified					

1

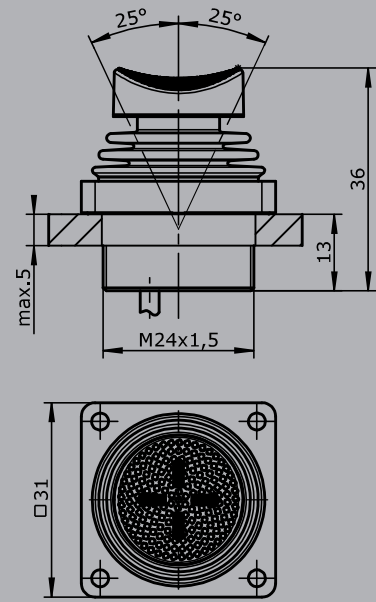
Standard  
installed from the top



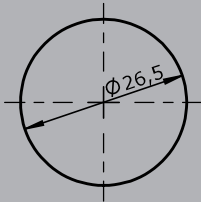
Version A with flange  
installed from below



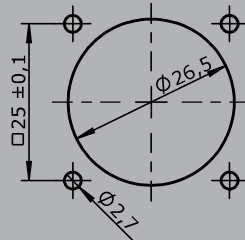
Version B with flange  
installed from the top  
with actuator KBAD 980



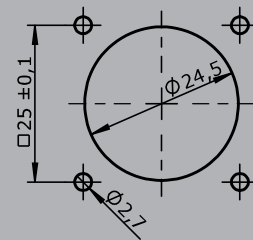
Hole pattern



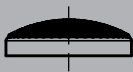
Hole pattern



Hole pattern



Actuator KBAD 1658



Actuator KBAD 1690

