

Multi-axis controller V20



The multi-axis controller V20 is a rugged switching device for remote control. The multi-axis controller is resistant to oil, maritime conditions e.g. offshore / vessels, UV radiation typically from the sun.

Technical data

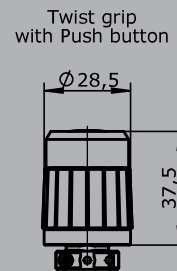
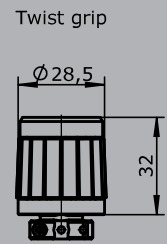
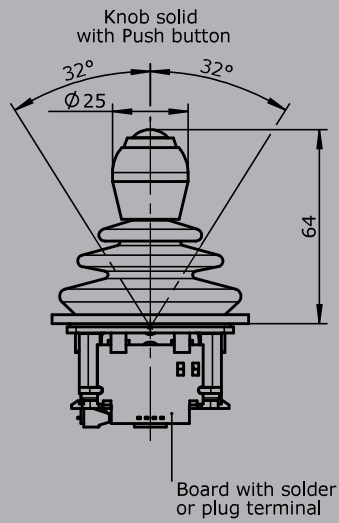
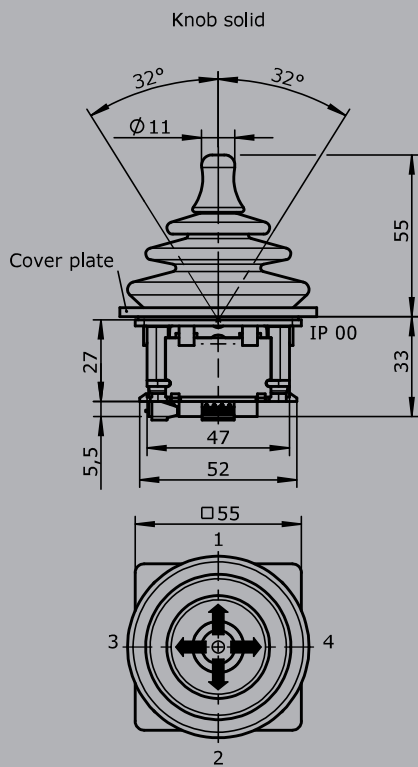
| | |
|-----------------------|----------------------------|
| Mechanical life V20 | 3 million operating cycles |
| Operation temperature | -40°C to +85°C |
| Degree of protection | IP65 (optional IP67) |



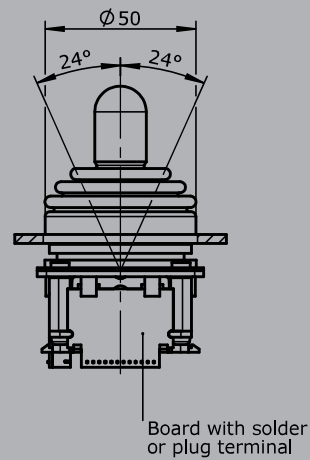
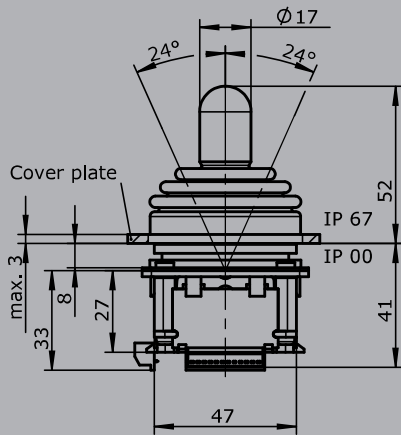
| | | V20 | -P | D | -C71 | +C71 | -B | -X |
|--------------------------------|---|-----|----|---|---------------------|------|----|----|
| Basic unit | | | | | | | | |
| V20.1 | 1-axis with spring return | | | | | | | |
| V20 | 2-axis with spring return | | | | | | | |
| V20.1A | 1-axis with spring return, IP67 front | | | | | | | |
| V20A | 2-axis with spring return, IP67 front | | | | | | | |
| Gate | | | | | | | | |
| p | Cross gate | | | | | | | |
| P X | Special gate | | | | | | | |
| Grip | | | | | | | | |
| | Knob (standard) | | | | | | | |
| D | Push button | | | | | | | |
| GS9 | Hall-twist grip with spring return | | | | | | | |
| GS9-D | Hall-twist grip with spring return and push button on top | | | | | | | |
| Axis 1: direction 1-2 | | | | | | | | |
| C70 | Mechanical encoder | | | | | | | |
| | MEC 2-1 | | | | | | | |
| | EA/15-10 | | | | I max. 1 mA | | | |
| | Potentiometer track | | | | 2 x 5 kOhm | | | |
| | Direction track | | | | Arrangement MS224-0 | | | |
| C71 | Mechanical encoder | | | | | | | |
| | MEC 2-2 | | | | | | | |
| | EA/11-10 | | | | I max. 1 mA | | | |
| | Potentiometer track | | | | 2 x 5 kOhm | | | |
| | Direction track | | | | Arrangement MS24-0 | | | |
| C72 | Mechanical encoder | | | | | | | |
| | MEC 2-5 | | | | | | | |
| | EA/21-10 | | | | I max. 1 mA | | | |
| | Potentiometer track | | | | 2 x 5 kOhm | | | |
| | Direction track | | | | Arrangement MS25-0 | | | |
| Axis 2: direction 3-4 | | | | | | | | |
| <i>See description axis 1!</i> | | | | | | | | |
| Cover housing | | | | | | | | |
| B | Cover housing KBQ 905 (IP65) | | | | | | | |
| Special model | | | | | | | | |
| X | Special / customer specified | | | | | | | |

Technical details may vary based on configuration or application! Technical data subject to change without notice!

V20 Standard degree of protection front IP 65



V20 Degree of protection front IP 67



Hole pattern

