

Double-handle controller D8



The double-handle controller D8 is a robust switching device for the hoisting applications. The modular design enables the switching device to be used universally. The double-handle controller is resistant to oil, maritime conditions e.g. offshore /vessels, UV radiation typically from the sun.

Technical data

Mechanical life D8	8 million operating cycles
Operation temperature	-40°C to +85°C
Degree of protection	up to IP54 front



	D8	S5	Q / Q	-2ZP	+3 RP	-B	-A05 P184	+A050 P184	-E9012	-S...	-X
Basic unit	D8										
Control-handle extended	S5 -20 mm										
Grip- control-handle left	Q T-grip										
Grip- control-handle right	Q T-grip										
Axis 1 (direction 1-2)	2 2 contacts (1,5A 24 V DC13) Z Spring return P Potentiometer										
Axis 2 (direction 3-4)	3 3 contacts (1,5A 24 V DC13) R Friction brake P Potentiometer										
Cover housing	B Cover housing										
Description axis 1 (direction 1-2)	A05 Arrangement MSP21 P184 Potentiometer T301 2 x 5 kOhm										
Description axis 2 (direction 3-4)	A050 Arrangement MSP21-0 P184 Potentiometer T301 2 x 5 kOhm										
Interface	E9012 Potentiometer output for proportional valve PVG32										
Plug connector	S... Standard plug connector (see page 138)										
Special model	X Special / customer specified										

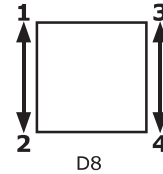
Example

Technical details may vary based on configuration or application! Technical data subject to change without notice!

1

	D8	S5	Q / Q	-2 Z P	+3 R P	-B	-A05	P184	+A050	P184	-E9012	-X
Basic unit												
D8												
Control-handle extended												
Standard 160 mm*												
S5 -20 mm												
S8 +20 mm												
<i>*Only in combination with knob!</i>												
Grip- control-handle left												
Knob												
M Mechanical zero interlock												
T Dead man												
H Signal button												
D Push button												
Q T-grip												
QD T-grip with push button side												
B10... Palm grip B10... (see page 197)												
Grip- control-handle right												
Knob												
M Mechanical zero interlock												
T Dead man												
H Signal button												
D Push button												
Q T-grip												
QD T-grip with push button side												
B10... Ball handle B10... (see page 197)												

Identification of the installation variants with switching directions:



	D8	S5	Q / Q	-2 Z P	+3 R P	-B	-A05	P184	+A050	P184	-E9012	-X
Axis 1: direction 1-2 left												
1 1 contact												
2 2 contacts												
3 3 contacts												
Standard contact - arrangement see page 140												
e.g.												
A98												
A05												
A050												
<i>A99 contact - arrangement for customer request</i>												
Z Spring return												
R Friction brake												
(P) Mounting options for potentiometer and encoder (Gessmann-types)												
P Potentiometer												
	P181	T301 2 x 0,5 kOhm	I max. 1 mA									
	P182	T301 2 x 1 kOhm	I max. 1 mA									
	P183	T301 2 x 2 kOhm	I max. 1 mA									
	P184	T301 2 x 5 kOhm	I max. 1 mA									
	P185	T301 2 x 10 kOhm	I max. 1 mA									
<i>More potentiometers on request!</i>												
H Hall-potentiometer		E14811	0,5...2,5...4,5 V / 4,5...2,5...0,5 V									

Technical details may vary based on configuration or application! Technical data subject to change without notice!

Combination possibilities with our handles



	D8	S5	Q / Q	-2 Z P	+3 R P	-B	A05 P184	+A050	P184	-E9012	-X
Axis 2: direction 3-4											
1	1 contacts			Standard contact - arrangement see page 140							
2	2 contacts			e.g.							
3	3 contacts			A98							
				A05							
				A050							
				A99 contact - arrangement for customer request							
Z	Spring return										
R	Friction brake										
(P)	Mounting options for potentiometer and encoder (Gessmann-types)										
P	Potentiometer			P181	T301 2 x 0,5 kOhm	I max. 1 mA					
				P182	T301 2 x 1 kOhm	I max. 1 mA					
				P183	T301 2 x 2 kOhm	I max. 1 mA					
				P184	T301 2 x 5 kOhm	I max. 1 mA					
				P185	T301 2 x 10 kOhm	I max. 1 mA					
	More potentiometers on request!										
H	Hall-Potentiometer			E14811	0,5...2,5...4,5 V / 4,5...2,5...0,5 V						

	D8	S5	Q / Q	-2 Z P	+3 R P	-B	A05 P184	+A050 P184	-E9012	-X	
Cover housing											
B	Cover housing										
Interface											
E901	1	Potentiometer output for proportional valve PVG32 0,25...0,5...0,75 Us					1 axis				
	2						2 axis				
Special model											
X	Special / customer specified										

Double-handle controller D8

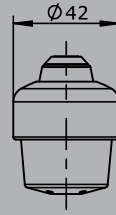
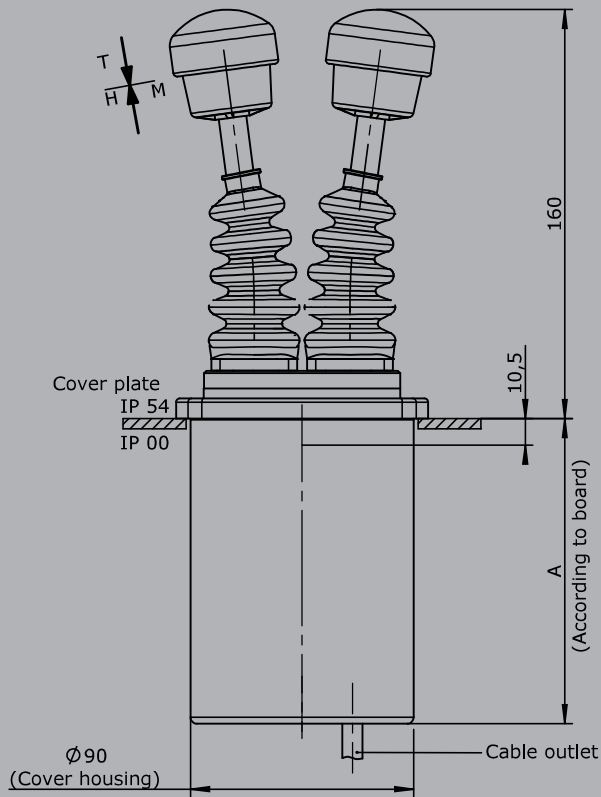


T = Dead man's button
H = Signal button
M = Latch for mechanical zero interlock

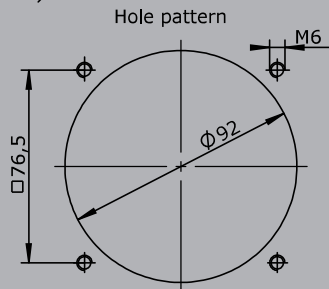
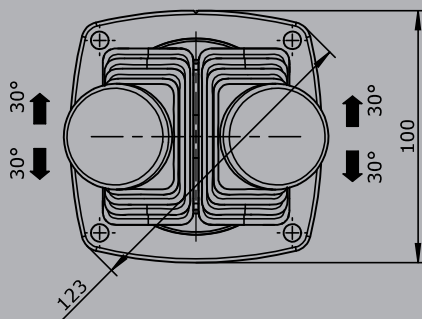
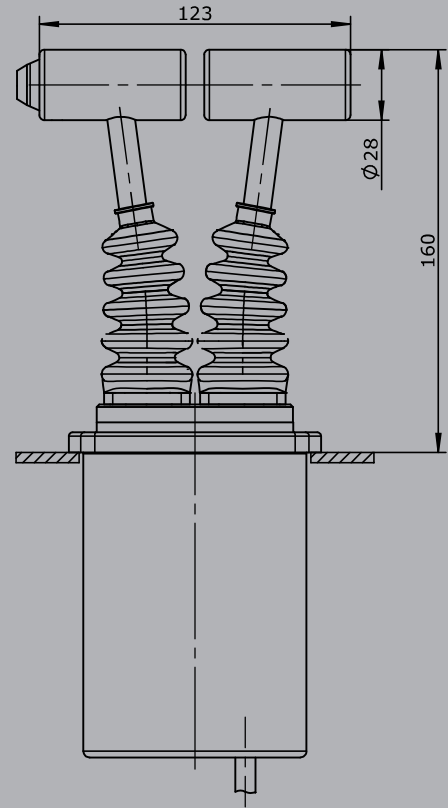
Knob solid
D= Push button

T - grip
D= Push button

1



To build in:
Direction 1-2
Direction 3-4



Technical details may vary based on configuration or application! Technical data subject to change without notice!