

Double-handle controller D3



The double-handle controller D3 is a robust switching device for nautical navigation applications. The modular design enables the switching device to be used universally. The double-handle controller is resistant to oil, maritime conditions e.g. offshore /vessels, UV radiation typically from the sun.



1

Technical data

Mechanical life D3	12 million operating cycles
Operation temperature	-40°C to +85°C
Degree of protection	IP66 front

	D3	S5	Q / Q	-2 R P	+3 R P	-B	-A05 P484	+A05 P484	-E1292	-S...	-X
Basic unit											
D3											
Control-handle extended											
S5 -20 mm											
Grip- control handle left											
Q T-grip											
Grip- control handle right											
Q T-grip											
Axis 1 (direction 1-2)											
2 2 contacts (1,5A 24 V DC13)											
R Friction brake											
P Potentiometer											
Axis 2 (direction 3-4)											
3 3 contacts (1,5A 24 V DC13)											
R Friction brake											
P Potentiometer											
Cover housing											
B Cover housing											
Description axis 1 (direction 1-2)											
A05 Arrangement MSP21											
P484 Potentiometer T318 2 x 5 kOhm											
Description axis 2 (direction 3-4)											
A050 Arrangement MSP21-0											
P484 Potentiometer T318 2 x 5 kOhm											
Interface											
E1292 Voltage output 0...5...10 V											
Plug connectors											
S.. Standard plug connectors (see page 138)											
Special model											
X Special / customer specified											

Technical details may vary based on configuration or application! Technical data subject to change without notice!

Combination possibilities with our handles



D3 S5 Q / Q - 2 R P + 3 R P - B - A05 P484 + A050 P484 - E1292 - X

Basic unit

D3

Control-handle extended*

Standard 148 mm*

S5 -20 mm

S8 +20 mm

*Only available in combination with handle!

Grip-control-handle left

Knob

D Push button

Q T-grip

QD T-grip with push button side

Grip-control-handle right

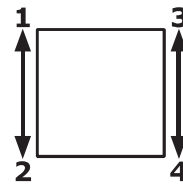
Knob

D Push button

Q T-grip

QD T-grip with push button side

Identification of the installation variants with switching directions:



D3

D3 S5 Q / Q - 2 R P + 3 R P - B - A05 P484 + A050 P484 - E1292 - X

Axis 1: direction 1-2 left

- 1 1 contact
- 2 2 contacts
- 3 3 contacts

Standard contact- arrangement see page 140

e.g.

A98 MS0

A05 MS21

A050 MS21-0

A99 contact - arrangement according customer request

R Friction brake

(P) Mounting options for potentiometer and (Gessmann-types)

P Potentiometer P484 T318 2 x 5 kOhm I max. 1 mA

More potentiometers on request!

H Hall-Potentiometer E14811 0,5...2,5...4,5 V / 4,5...2,5...0,5 V

D3 S5 Q / Q - 2 R P + 3 R P - B - A05 P484 + A050 P484 - E1292 - X

Axis 2: direction 3-4 left			
1	1 contact	Standard contact- arrangement see page 140	
2	2 contacts	e.g.	
3	3 contacts	A98	MS0
		A05	MS21
		A050	MS21-0
	<i>A99 contact - arrangement according customer request</i>		
R	Friction brake		
(P)	Mounting options for potentiometer (Gessmann-types)		
P	Potentiometer	P484	T318 2 x 5 kOhm I max. 1 mA
		<i>More potentiometers on request!</i>	
H	Hall-Potentiometer	E14811	0,5...2,5...4,5 V / 4,5...2,5...0,5 V

D3 S5 Q / Q - 2 R P + 3 R P - B - A05 P484 + A050 P484 - E1292 - X

Cover housing	
B	Cover housing

Interface (description the following pages)	
	Potentiometer output
E1xx	Voltage output
E2xx	Current output

Special model	
X	Special / customer specified

Voltage outputs			
Supply voltage	11,5-32 V DC		
Wiring	Cable 300 mm long without plug connector		
	Optional with plug connector (<i>standard plug connectors see page 138</i>)		
0...5...10 V per axis			S
	1 axis	E129	1
	2 axis		2
10...0...10 V per axis			
	1 axis	E141	1
	2 axis		2
-10...0...+10 V per axis			
	1 axis	E140	1
	2 axis		2
<i>Voltage output with other value on request!</i>			

Double-handle controller D3



Current outputs			
Supply voltage	18-36 V DC		
Wiring	Cable 500 mm long without plug connector		
	Optional with plug connector (<i>standard plug connectors see page 138</i>)		
4...12...20 mA per axis	1 axis	E209	1
	2 axis		2
20...4...20 mA per axis	1 axis	E217	1
	2 axis		2

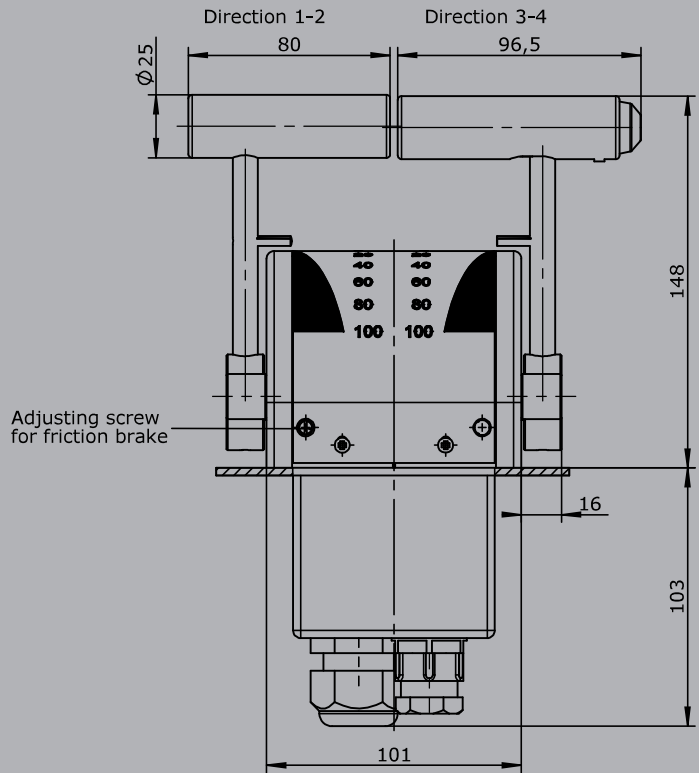
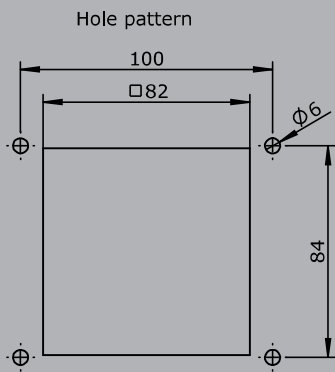
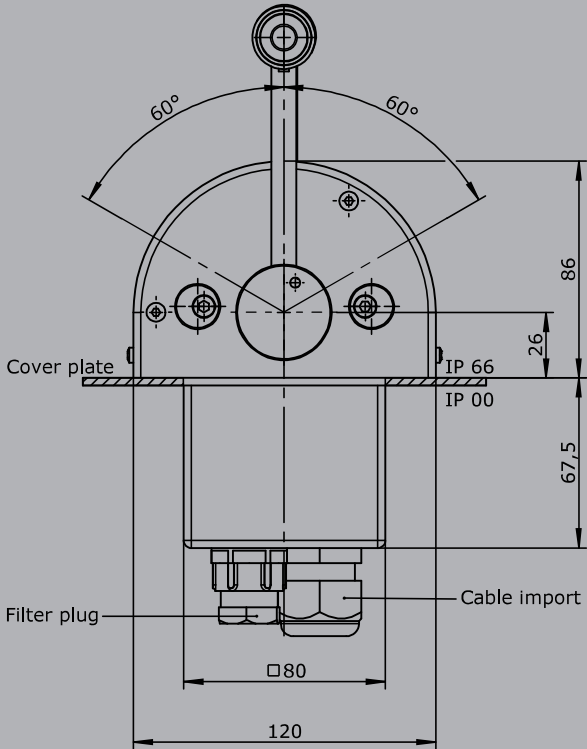


Double-handle controller D3



T- grip
D=Push button

1



Knob solid
D= Push button

