

Crane control unit

KST 8 swiveling



The KST 8 is an ergonomically designed swiveling crane control chair which provides a high degree of comfort.

Equipment boxes:

The equipment boxes are vertically and horizontally adjustable. The arrangement of the joysticks, indicators and control devices is customised according to customer specifications. Cabling is carried out through a cross-member in the traverse. (Terminal block)
Special boxes available upon request.

Driver seat:

As standard the KST 8 is fitted with a KFS 11 seat. The seat itself is fitted with a hydraulic vibration absorption system complete with weight adjustment to ensure that the comfort level is fitted with armrests and a headrest. There is the option to have the seat covered with air-permeable artificial leather.

Cross member with swivel base:

The cover of the sheet steel cross-member including the driver's seat is forward foldable. Thereby all wirings, terminals and bushings are easily accessible during commissioning and maintenance. Swivel base has zero-clearance bearing and can be locked by a friction brake.

Surface treatment:

Base coat and textured varnish
Standard colour RAL 9011 black



		Example														
		KST 8	-U1	-M1	-F3	-LK	/	KFS 11	/	V64	/	V64.1	/	KL	/	X
Basic unit																
KST 8	With equipment boxes															
Base unit																
U1	Swiveling 180° left, 90° right with friction brake															
U2	Swiveling 180° left, 90° right with detent															
U3	Electric swiveling 180° left, 90° right															
U4	Non swiveling															
U5	Without base frame															
Attachments																
M1	Monitor mounting with monitor housing															
M2	Monitor mounting with monitor mounting bracket															
M3	Monitor mounting without monitor housing/-mounting bracket															
F3	Footrest KBF/716															
H	Heater 2 x 2 kW with ventilator															
LK	Plate for horizontal manual adjustment of control units +/- 250 mm															
Driver seat																
KFS 11*	(Included in the delivery!)															
KFS 9*																
KFS 10*																
KFS 12*																
*Description see driver seat page 229																

KST 8 -U1 -M1 -F3 -LK / KFS 11 / V64 / V64.1 / KL / X

Mounting for equipment boxes

- V... Multi-axis controller (see page 1)
- S... Single-axis controller (see page 93)
- D... Double-handle controller (see page 70)
- N... Control-switch (see page 131)
- ... More command and indicating devices (see page 202)

Wiring

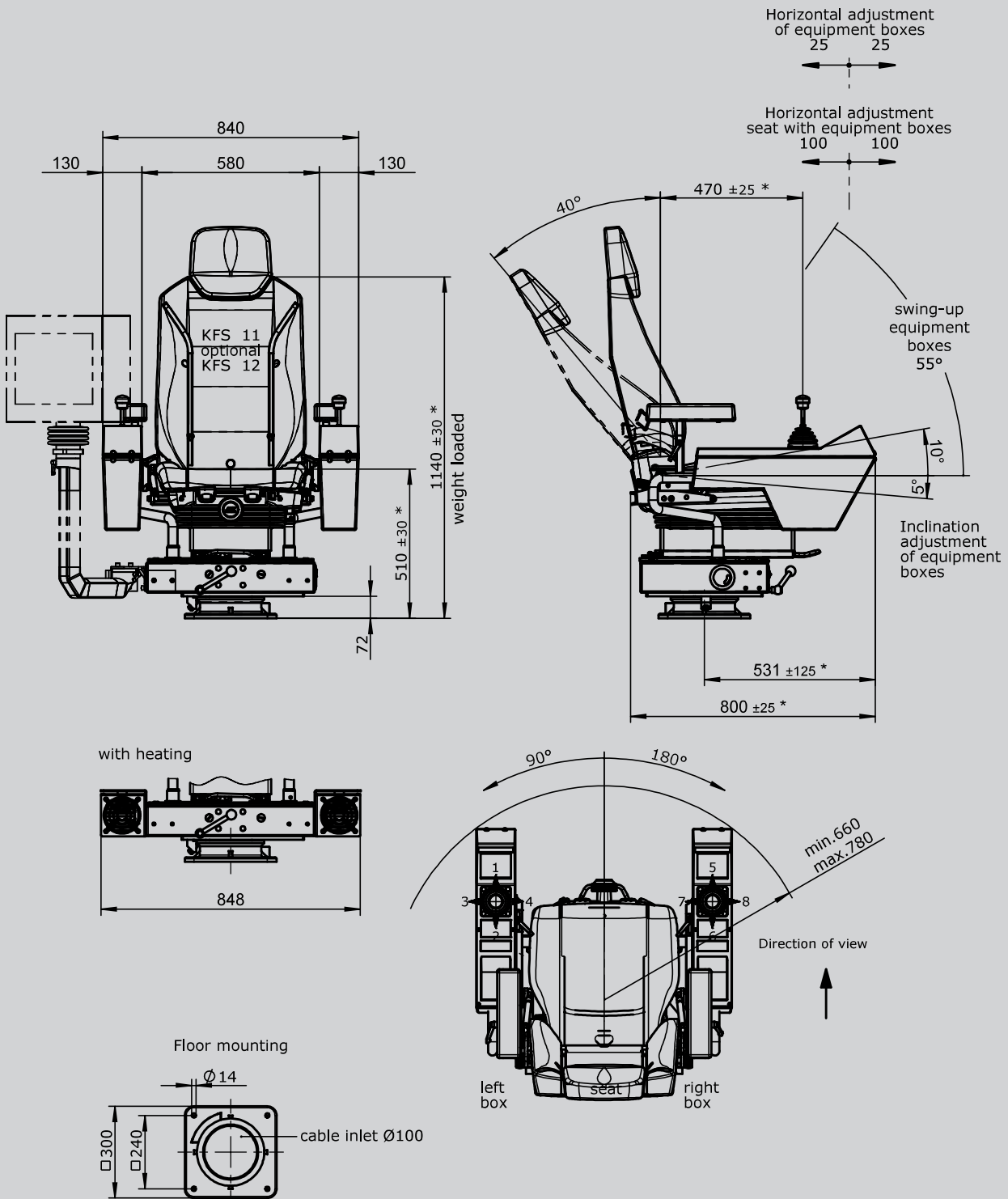
- KL Without wiring, but terminal block built each terminal
- KLV On terminal block 4 mm² with single wire 1 mm² each terminal
- KLV On SPS (SPS provision) with single wire 1 mm² each terminal
- KLVA External wiring single wire highly flexible 1,5 mm², 5 m long each terminal

Special model

- X Special / customer specified
- X¹ Special painted

Option

- Radio remote control system



* adjustable