

Crane control unit KST 7



The KST 7 is an ergonomically designed swiveling crane control chair which provides a high degree of comfort.

Equipment boxes:

The equipment boxes are made from sheet steel and as standard have a hinged lid with locking feature. This allows for easy inspection and maintenance. The side of the equipment boxes is as standard fitted with an inspection plate which again is lockable. The arrangement of the joystick, indicators and control devices is customised according to customer specifications. This combined with the custom sized and profiled equipment boxes that are available means that the KST 7 is very flexible and customisable solution.

Driver seat:

The tipped spring mounted seat KFS 4 is fit with an hydraulic vibration absorption system incl. weight adjustment. With the folding spring mounted seat you can also arrive your workplace in small cabins.

Base plate:

The crane control unit is available with or without base plate.

Surface treatment:

Base coat and textured varnish
Standard colour RAL 7035 light grey



Example

KST 7 -1 / KFS 11 / V64 / V64.1 / KL / X

Basic unit

- KST 7 With equipment boxes 290 x 500 mm
- KST 75 With equipment boxes 210 x 500 mm
- Special boxes for request!*

Base plate

- 1 With base plate prepare for driver seat KFS 4
- 2 With base plate prepare for driver seat KFS 2
- 3 With base plate with apron for driver seat KFS 9, KFS 11...
- 4 Without base plate

Driver seat

- KFS 4* *(Included in the delivery!)*
- KFS 2*
- KFS 11*
- KFS 9*
- *Description see driver seat page 229*

Mounting for equipment boxes

- V... Multi-axis controller *(see page 1)*
- S... Single-axis controller *(see page 93)*
- D... Double-handle controller *(see page 70)*
- N... Control-switch *(see page 131)*
- ... *More command and indicating devices (see page 202)*

Technical details may vary based on configuration or application! Technical data subject to change without notice!

KST 7 -1 / KFS 11 / V64 / V64.1 / KL / X

Wiring

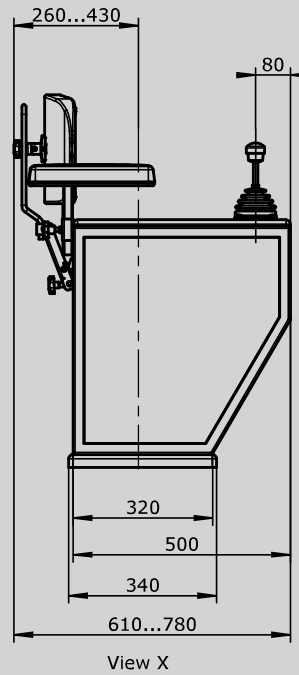
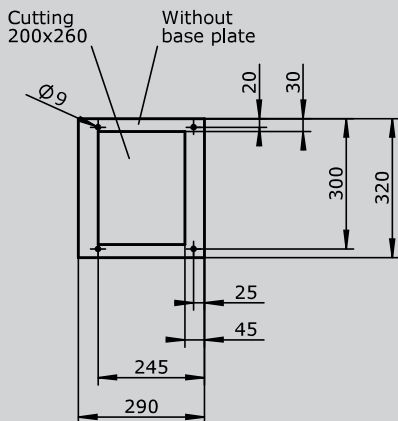
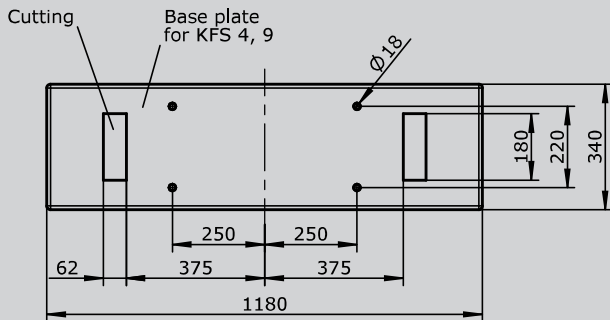
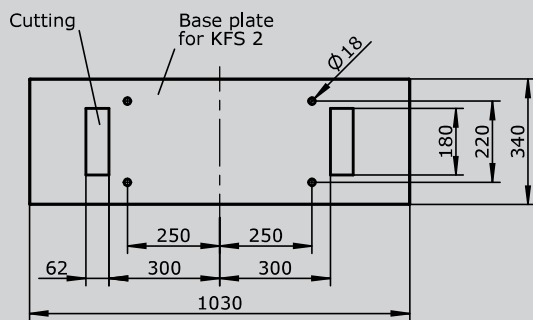
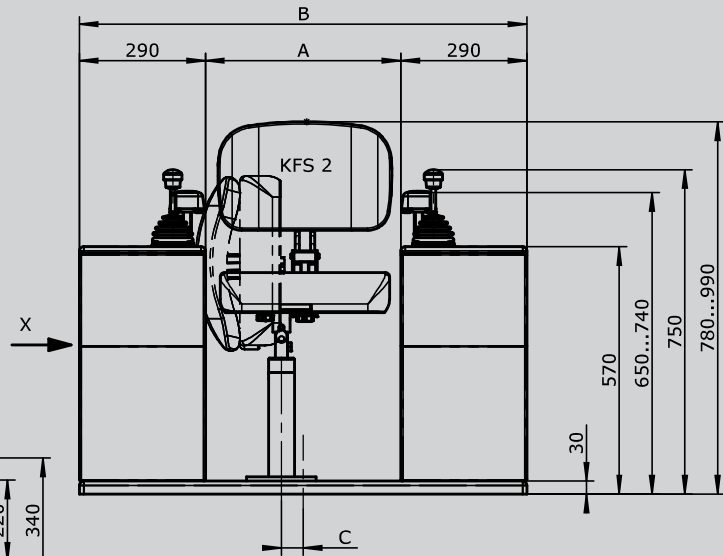
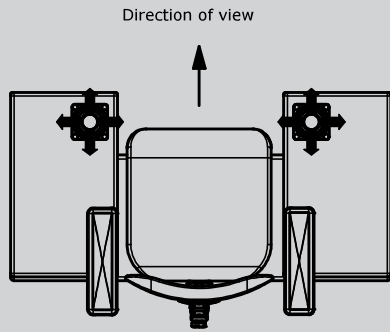
KL	Without wiring, but terminal block built each terminal
KL V	On terminal block 4 mm ² with single wire 1 mm ² each terminal
KL V	On SPS (SPS provision) with single wire 1 mm ² each terminal
KLVA	External wiring single wire highly flexible 1,5 mm ² , 5 m long each terminal

Special model

X	Special / customer specified
X ¹	Special painted

Option

Radio remote control system



Type	Dim. A	Dim. B	Dim. C
KFS 2	450	1030	50
KFS 4	600	1180	25
KFS 9	600	1180	25