

# Crane control unit KST 6 swiveling



The KST 6 is an ergonomically designed swiveling crane control chair which provides a high degree of comfort.

#### Equipment boxes:

The equipment boxes are vertically and horizontally adjustable. The arrangement of the joysticks, indicators and control devices is customised according to customer specifications. Cabling is carried out through a cross-member in the traverse. (Terminal block)

#### Driver seat:

As standard the KST 6 is fitted with a KFS 11 seat. The seat itself is fitted with a hydraulic vibration absorption system complete with weight adjustment to ensure that the comfort level is fitted with armrests and a headrest. There is the option to have the seat covered with air-permeable artificial leather.

#### Cross-member with swivel base:

The cover of the sheet steel cross-member including the driver's seat is forward foldable. Thereby all wirings, terminals and bushings are easily accessible during commissioning and maintenance. Swivel base has zero-clearance bearing and can be locked by a friction brake.

#### Surface treatment:

Base coat and textured varnish  
Standard colour RAL 9011 black



Example

KST 6 -U2 -M1 -F3 -LK / KFS 11 / V64 / V64.1 / KL / X

#### Basic unit

KST 6 With equipment boxes

#### Base unit

U1 Swiveling 180° left, 90° right with friction brake  
U2 Swiveling 180° left, 90° right with detent  
U3 Electric swiveling 180° left, 90° right  
U4 Non swiveling  
U5 Without base frame

#### Attachments

M1 Monitor mounting with monitor housing  
M2 Monitor mounting with monitor mounting bracket  
M3 Monitor mounting without monitor housing/-mounting bracket  
F3 Footrest KBF/716  
H Heater 2 x 2 kW with ventilator  
LK Plate for horizontal manual adjustment for control units +/- 250 mm

#### Driver seat

KFS 11\* (Included in the delivery!)  
KFS 9\*  
KFS 10\*  
KFS 12\*

\*Description see driver seat page 229

Technical details may vary based on configuration or application! Technical data subject to change without notice!

KST 6 -U2 -M1 -F3 -LK / KFS 11 / V64 / V64.1 / KL / X

### Mounting for equipment boxes

V...	Multi-axis controller (see page 1)
S...	Single-axis controller (see page 93)
D...	Double-handle controller (see page 70)
N...	Control-switch (see page 131)
...	More command and indicating devices (see page 202)

### Wiring

KL	Without, but terminal block built each terminal
KLV	On terminal block 4 mm <sup>2</sup> with single wire 1 mm <sup>2</sup> each terminal
KLV	On SPS (SPS provision) with single wire 1 mm <sup>2</sup> each terminal
KLVA	External wiring single wire highly flexible 1,5 mm <sup>2</sup> , 5 m long each terminal

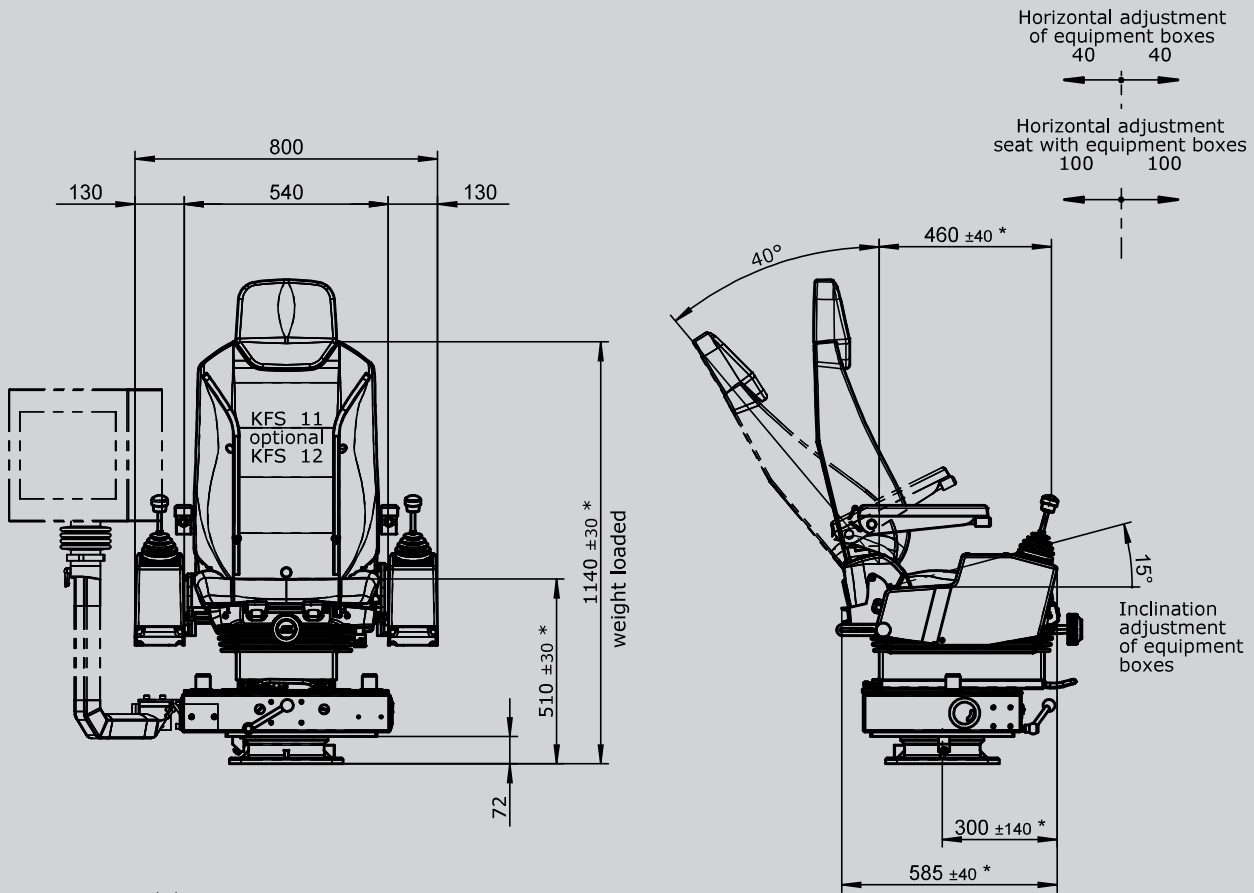
### Special model

X	Special / customer specified
X <sup>1</sup>	Special painted

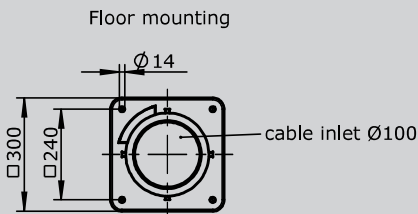
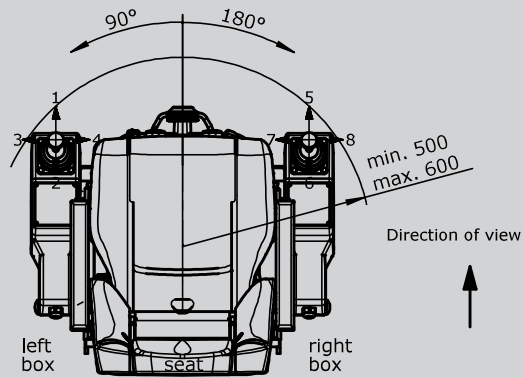
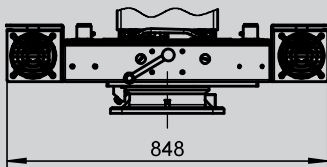
### Option

Radio remote control system
-----------------------------

# Crane control unit KST 6 swiveling



with heating



\* adjustable