

Crane control unit

KST 5 swiveling



The KST 5 is an ergonomically designed swiveling crane control chair which provides a high degree of comfort.

Equipment boxes:

The equipment boxes are made from sheet steel and as standard have a hinged lid with locking feature. This allows for easy inspection and maintenance. The side of the equipment boxes is as standard fitted with an inspection plate which again is lockable. The arrangement of the joystick, indicators and control devices is customised according to customer specifications. This combined with the custom sized and profiled equipment boxes that are available means that the KST 5 is very flexible and customisable solution.

Driver seat:

As standard the KST 5 is fitted with a KFS 11 seat. The seat itself is fitted with a hydraulic vibration absorption system complete with weight adjustment to ensure that the comfort level is fitted with armrests and a headrest. There is the option to have the seat covered with air-permeable artificial leather.

Cross-member with swivel base:

The cover of the sheet steel cross-member including the driver's seat is forward foldable. Thereby all wirings, terminals and bushings are easily accessible during commissioning and maintenance. Swivel base has zero-clearance bearing and can be locked by a friction brake.

Surface treatment:

Base coat and textured varnish
Standard colour RAL 7035 light grey



Example

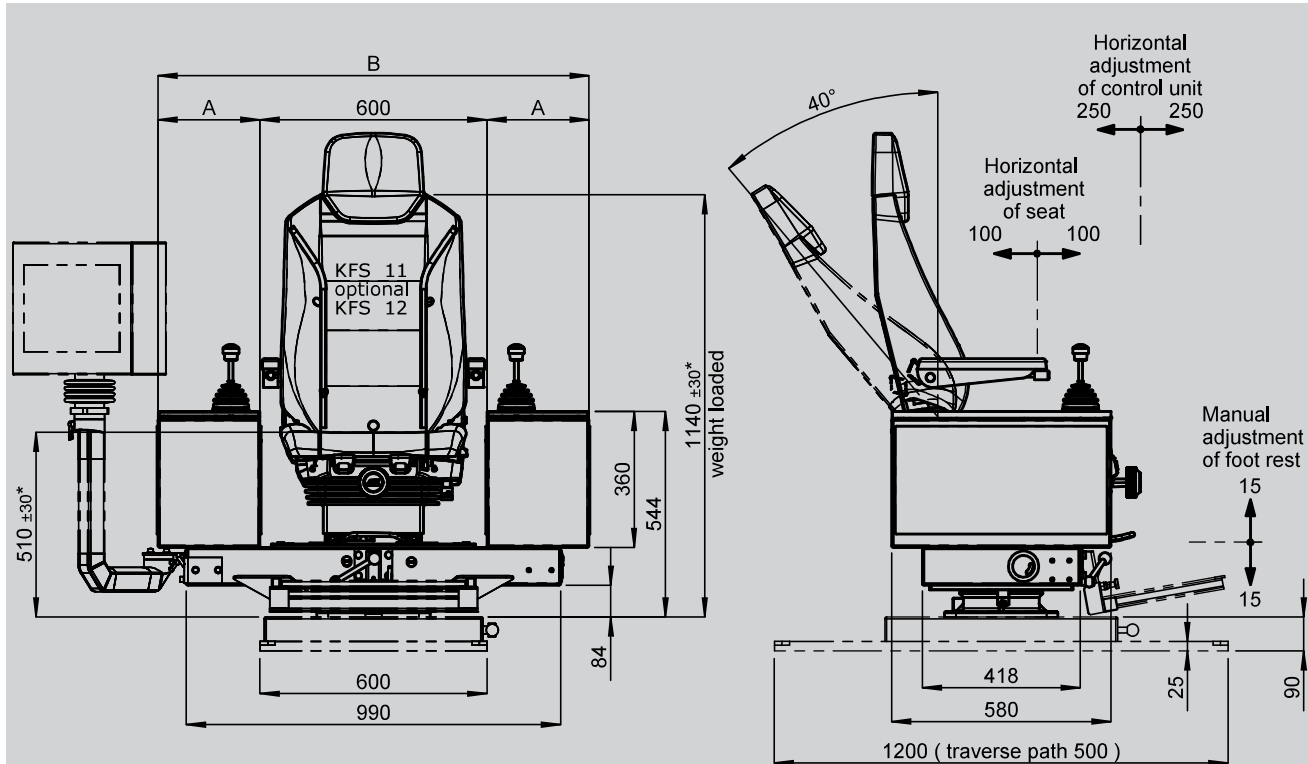
	KST 51	-U1	-M1	-F3	-LK	/	KFS 11	/	V64	/	V64.1	/	KL	/	X
Basic unit															
KST 51	With equipment boxes 200 x 580 mm														
KST 52	With equipment boxes 270 x 580 mm														
KST 54	With equipment boxes 320 x 580 mm														
	<i>Special boxes for request!</i>														
Base unit															
U1	Swiveling 180° left, 90° right with friction brake														
U2	Swiveling 180° left, 90° right with detent														
U3	Electric swiveling 180° left, 90° right														
U4	Non swiveling														
Attachments															
M1	Monitor mounting with monitor housing														
M2	Monitor mounting with monitor mounting bracket														
M3	Monitor mounting without monitor housing/-mounting bracket														
F3	Footrest KBF/716														
H	Heater 2 x 2 kW with ventilator 240V AC														
LS	Plate for horizontal manual adjustment for control units +/- 75 mm														
LK	Plate for horizontal manual adjustment for control units +/- 250 mm														
	Label without engraving for multi-axis-/ single-axis controller														
	Label with engraving for multi-axis-/ single-axis controller														

3

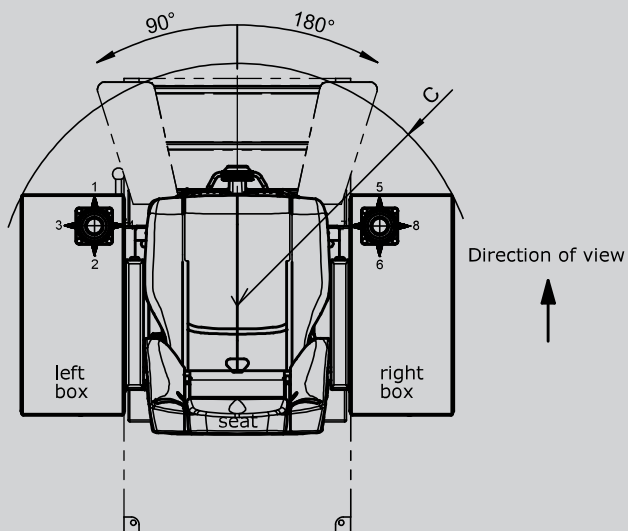
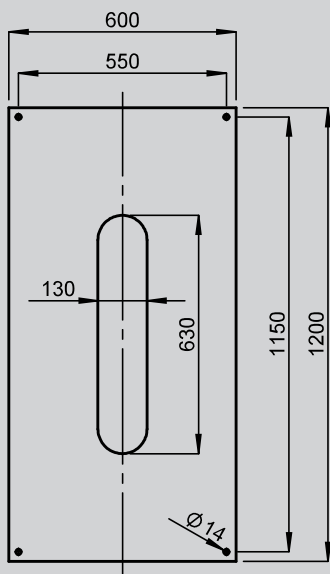
KST 51 -U1 -M1 -F3 -LK / KFS 11 / V64 / V64.1 / KL / X

Driver seat	
KFS 11*	<i>(Included in the delivery!)</i>
KFS 9*	
KFS 10*	
KFS 12*	
*Description see driver seat page 229	
Mounting for equipment boxes	
V...	Multi-axis controller <i>(see page 1)</i>
S...	Single-axis controller <i>(see page 93)</i>
D...	Double-handle controller <i>(see page 70)</i>
N...	Control-switch <i>(see page 131)</i>
...	More command and indicating devices <i>(see page 202)</i>
Wiring	
KL	Without, but terminal block built each terminal
KLV	On terminal block 4 mm ² with single wire 1 mm ² each terminal
KLVA	On SPS (SPS provision) with single wire 1 mm ² each terminal
KLVA	External wiring single wire highly flexible 1,5 mm ² , 5 m long each terminal
Special model	
X	Special / customer specified
X1	Special painted
3 Option	
Radio remote control system	

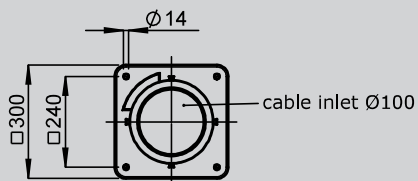
Crane control unit KST 5 swiveling



Floor mounting



Floor mounting



* adjustable

Type	Dim. A	Dim. B	Dim. C
KST 51	200	1000	580
KST 52	270	1140	640
KST 54	320	1240	690