

Crane control unit KST 4 swiveling



The KST 4 is an ergonomically designed swiveling crane control chair which provides a high degree of comfort.

Equipment boxes:

The sheet steel equipment boxes are vertically and horizontally adjustable. The arrangement of the joysticks, indicators and control devices is customised according to customer specifications. Cabling is carried out through a cross-member in the traverse. (Terminal block)
Special boxes available upon request.

Driver seat:

As standard the KST 4 is fitted with a KFS 11 seat. The seat itself is fitted with a hydraulic vibration absorption system complete with weight adjustment to ensure that the comfort level is fitted with armrests and a headrest. There is the option to have the seat covered with air-permeable artificial leather.

Cross-member with swivel base:

The cover of the sheet steel cross-member including the driver's seat is forward foldable. Thereby all wirings, terminals and bushings are easily accessible during commissioning and maintenance. Swivel base has zero-clearance bearing and can be locked by a friction brake.

Surface treatment:

Base coat and textured varnish
Standard colour RAL 9011 black



Example

KST 41 -U1 -M1 -F3 -LK / KFS 11 / V64 / V64.1 / KL / X

Basic unit

- KST 41 With equipment boxes 160 x 420 mm
- KST 42 With equipment boxes 200 x 420 mm

Base unit

- U1 Swiveling 180° left, 90° right with friction brake
- U2 Swiveling 180° left, 90° right with detent
- U3 Electric swiveling 180° left, 90° right
- U4 Non swiveling
- U5 Without base frame

Attachments

- M1 Monitor mounting with monitor housing
- M2 Monitor mounting with monitor mounting bracket
- M3 Monitor mounting without monitor housing/-mounting bracket
- F3 Footrest KBF/716
- H Heater 2 x 2 kW with ventilator
- LK Plate for horizontal manual adjustment of crane control units +/- 250 mm

Driver seat

- KFS 11* (Included in the delivery!)
- KFS 9*
- KFS 10*
- KFS 12*

*Description see driver seat page 229

Technical details may vary based on configuration or application! Technical data subject to change without notice!

KST 41 -U1 -M1 -F3 -LK / KFS 11 / V64 / V64.1 / KL / X

Mounting for equipment boxes

- V... Multi-axis controller (see page 1)
- S... Single-axis controller (see page 93)
- D... Double-handle controller (see page 70)
- N... Control-switch (see page 131)
- ... More command and indicating devices (see page 202)

Wiring

- KL Without wiring, each terminal block built in each terminal
- KLV On terminal block 4 mm² with single wire 1 mm² each terminal
- KLV On SPS (SPS provision) with single wire 1 mm² each terminal
- KLVA External wiring single wire highly flexible 1,5 mm², 5 m long each terminal

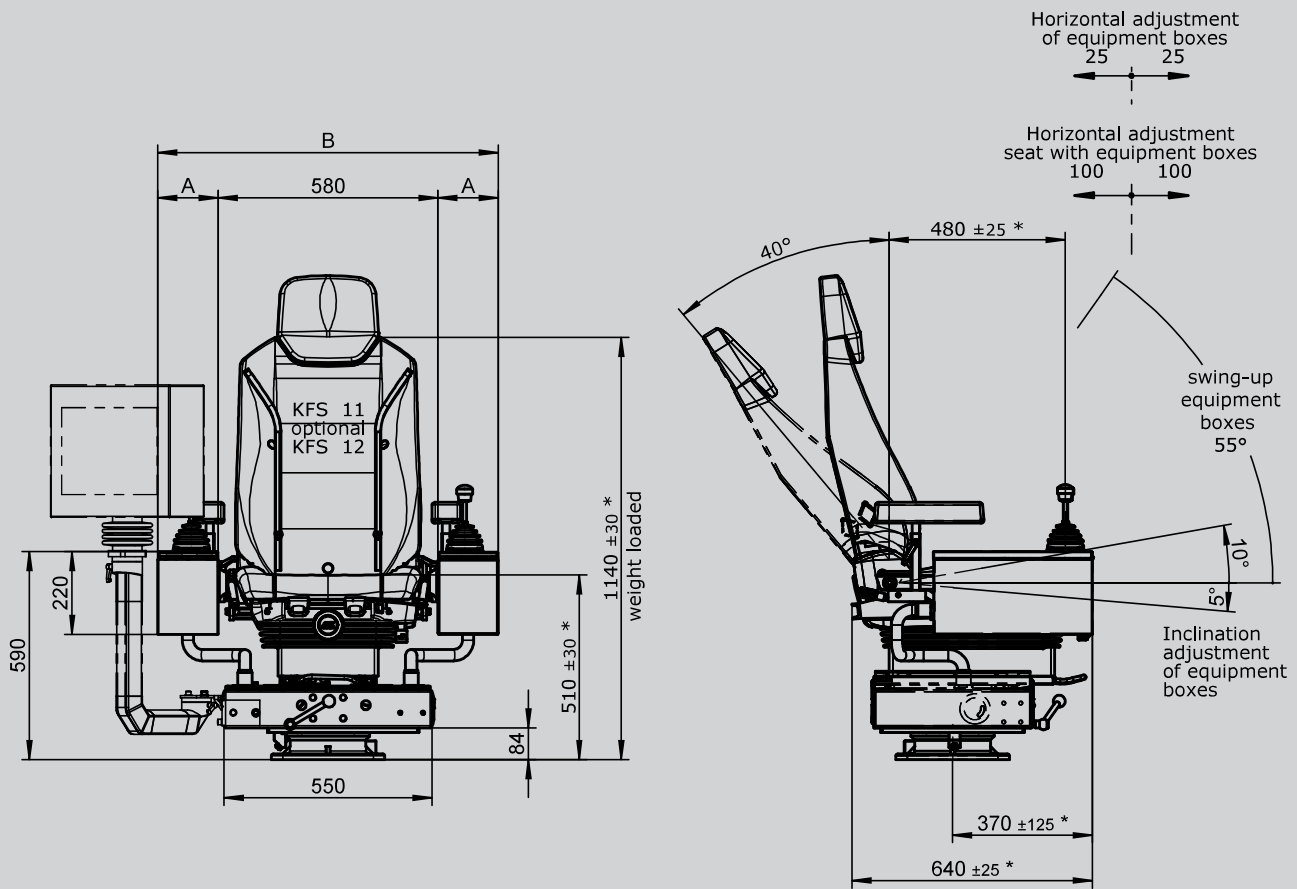
Special model

- X Special / customer specified
- X¹ Special painted

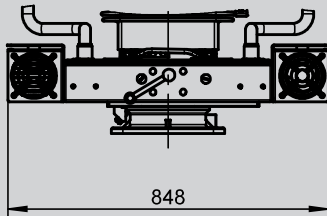
Option

- Radio remote control system

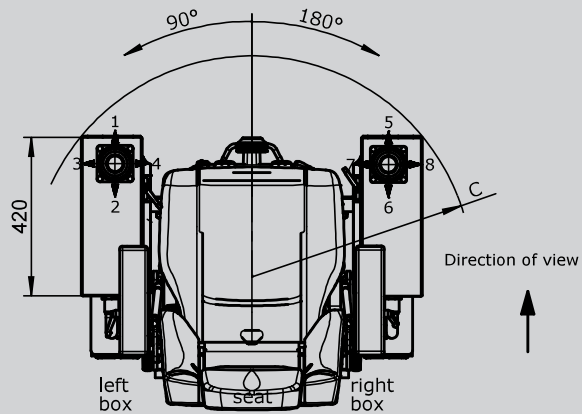
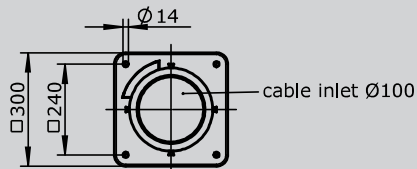
Crane control unit KST 4 swiveling



with heating



Floor mounting



* adjustable

Type	Dim. A	Dim. B	Dim. C
KST 41	160	900	max. 670 min. 570
KST 42	200	980	max. 700 min. 600