

# Crane control unit

## KST 30 swiveling



The KST 30 is an ergonomically designed swiveling crane control chair which provides a high degree of comfort. The inner consoles, mounted to the driver's seat, swing with the seat. The consoles can be positioned to perfectly match any person by means of length, height and inclination adjustment. For console version 1 the whole control unit can be expanded by additional fixed outer consoles. The standard version includes:

### Inner consoles:

The plastic consoles can be height-adjusted to match joysticks of any size. In addition consoles can be equipped with custom command and indicating devices.

### Outer consoles:

The outer metal consoles feature foldable top covers, including mechanical fixation to keep cover in open position. Internal terminal strips can easily be accessed by removeable side covers. Command and indicating devices can be added based on customer's choice. Also special sizes and shapes of outer consoles are available on request.

### Driver's seat:

The comfortable driver's seat KFS 11 is equipped with a spring loaded hydraulic vibration absorption system, including weight adjustment, air-permeable textile cover, arm rests and head rest.

### Cross-member with swivel base:

The cover of the sheet steel cross-member including the driver's seat is forward foldable. Thereby all wirings, terminals and bushings are easily accessible during commissioning and maintenance. Swivel base has zero-tolerance bearings and rotation can be locked in 3° steps.

### Surface treatment:

Base coat and textured varnish

Standard colour RAL 7035 light grey in combination with RAL 7015 slate-grey



		Example														
		KST 3011	-U2	-M1	-F3	-LK	/	KFS 11	/	V85	/	V85	/	KL	/	X
<b>Basic unit</b>																
KST 3001	With inner equipment boxes version 1															
KST 3011	With inner equipment boxes version 1 and outside equipment boxes 160 mm wide															
KST 3031	With inner equipment boxes version 1 and outside equipment boxes 270 mm wide															
KST 3041	With inner equipment boxes version 1 and outside equipment boxes 320 mm wide															
	<i>Special equipment boxes form on request!</i>															
<b>Base unit</b>																
U2	Swiveling 180° left, 90° right with detent															
U3	Electric swiveling 180° left, 90° right															
U4	Non swiveling															
<b>Attachments</b>																
M1	Monitor mounting with monitor housing															
M2	Monitor mounting with monitor mounting bracket															
M3	Monitor mounting without monitor housing/ -mounting bracket															
F3	Footrest KBF/716															
LK	Plate for horizontal manual adjustment for control units +/- 250 mm															
<b>Driver seat</b>																
KFS 11*	<i>(Included in the delivery!)</i>															
KFS 9*																
KFS 10*																
KFS 12*																
	<i>*Description see driver seat page 229</i>															

KST 3011 -U2 -M1 -F3 -LK / KFS 11 / V85 / V85 / KL / X

### Mounting for equipment boxes

- V... Multi-axis controller (see page 1)
- S... Single-axis controller (see page 93)
- D... Double-handle controller (see page 70)
- N... Control-switch (see page 131)
- ... More command and indicating devices (see page 202)

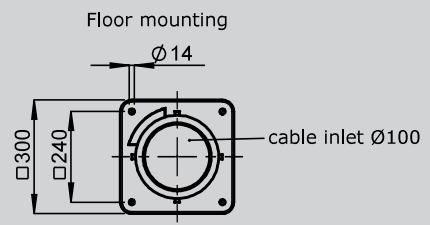
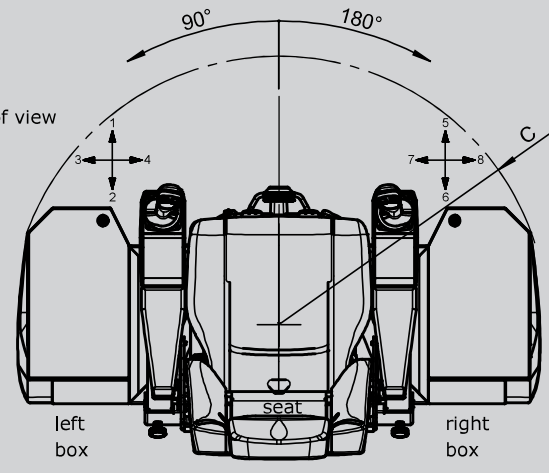
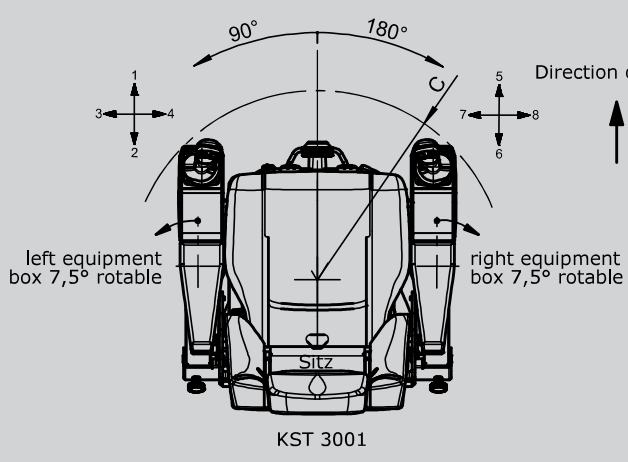
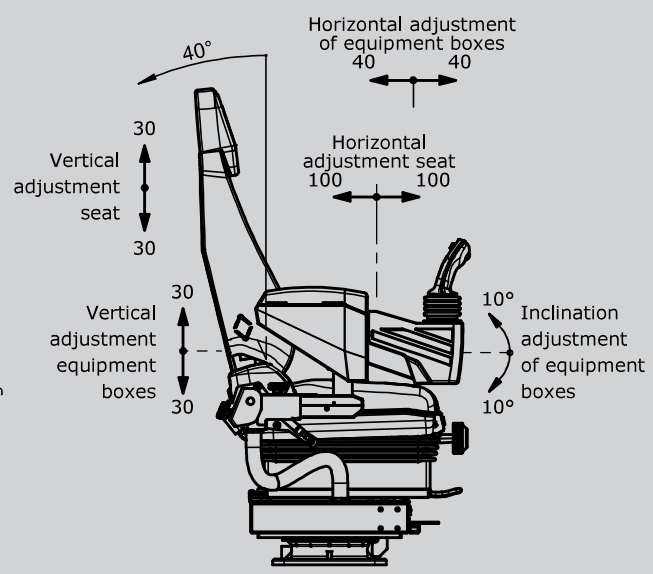
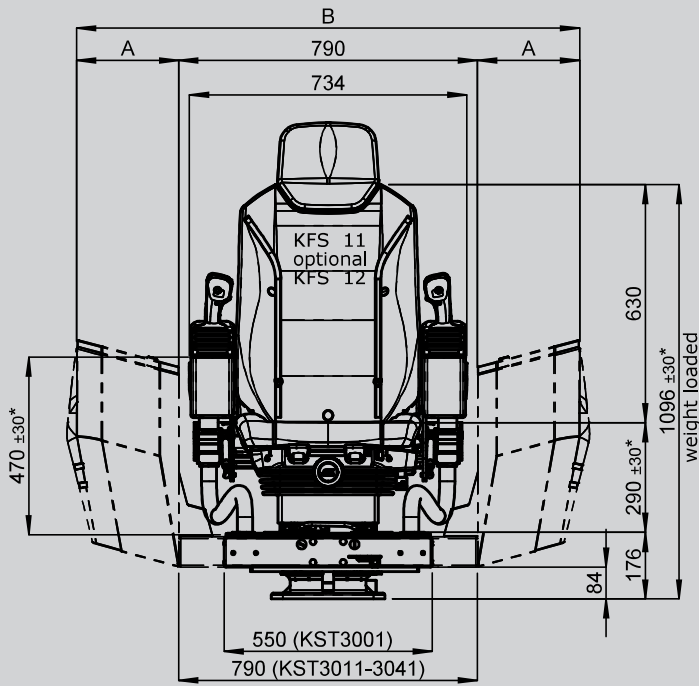
### Wiring

- KL Without wiring, but terminal block built in each terminal
- KLV On terminal block 4 mm<sup>2</sup> with single wire 1 mm<sup>2</sup> each terminal
- KLV On SPS (SPS provision) with single wire 1 mm<sup>2</sup> each terminal
- KLVA External wiring single wire highly flexible 1,5 mm<sup>2</sup>, 5 m long each terminal  
*Additional-/ reduction price per meter*

### Special model

- X Special / customer specified
- X Special painted

# Crane control unit KST 30 swiveling



\* adjustable

Type	Dim. A	Dim. B	Dim. C
KST 3001	-	-	500
KST 3011	160	1110	610
KST 3031	270	1330	710
KST 3041	320	1430	755

Technical details may vary based on configuration or application! Technical data subject to change without notice!

