

# Crane control unit

## KST 19 swiveling



The KST 19 is an ergonomically designed swiveling crane control chair which provides a high degree of comfort.

### Equipment boxes:

The equipment boxes are vertically and horizontally adjustable. The arrangement of the joysticks, indicators and control devices is customised according to customer specifications. Cabling is carried out through a cross-member in the traverse. (Terminal block)

### Driver seat:

As standard the KST 19 is fitted with a KFS 10 seat. The seat itself is fitted with a pneumatic vibration absorption system complete with weight adjustment to ensure that the comfort level is fitted with arm-rests and a headrest. There is the option to have the seat covered with air-permeable artificial leather.

### Cross-member with swivel base:

Swivel base has zero-clearance bearing and can be locked by a friction brake.

### Surface treatment:

Base coat and textured varnish  
Standard colour RAL 7035 light grey, equipment boxes RAL 7016 anthracite



Example

KST 19 -U1 -M1 -F3 -LK / KFS 10 / V85 / V85 / KL / X

### Basic unit

KST 19 With equipment boxes

### Base unit

U1 Swiveling 180° left, 90° right with friction brake  
U2 Swiveling 180° left, 90° right with detent  
U4 Non swiveling

### Attachments

M1 Monitor mounting with monitor housing  
M2 Monitor mounting with monitor mounting bracket  
M3 Monitor mounting without monitor housing/ -mounting bracket  
M4 Monitor mounting (Monitor < 5 kg) with monitor housing  
M5 Monitor mounting (Monitor < 5 kg) with mounting adapter  
F3 Footrest KBF/716  
H Heater 2 x 2 kW with ventilator  
LK Plate for horizontal manual adjustment for control units +/- 250 mm

### Driver seat

KFS 10\* (Included in the delivery!)

\*Description see driver seat page 229

Technical details may vary based on configuration or application! Technical data subject to change without notice!

KST19 -U1 -M1 -F3 -LK / KFS10 / V85 / V85 / KL / X

### Mounting for equipment boxes

- V... Multi-axis controller (see page 1)
- S... Single-axis controller (see page 93)
- D... Double-handle controller (see page 70)
- N... Control-switch (see page 131)
- ... More command and indicating devices (see page 202)

### Wiring

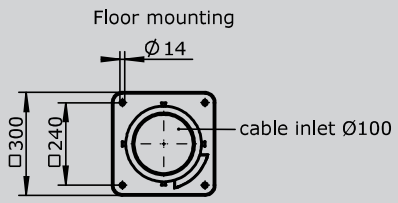
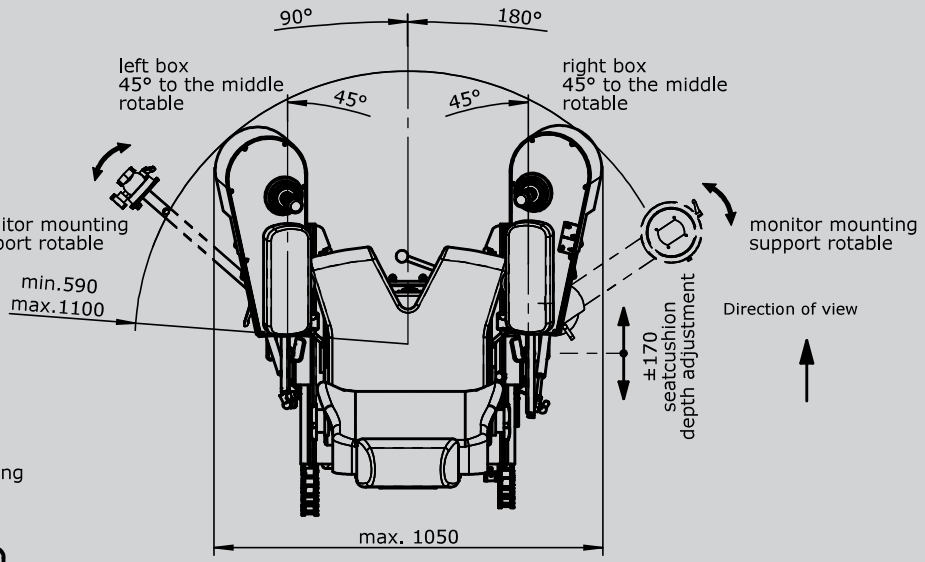
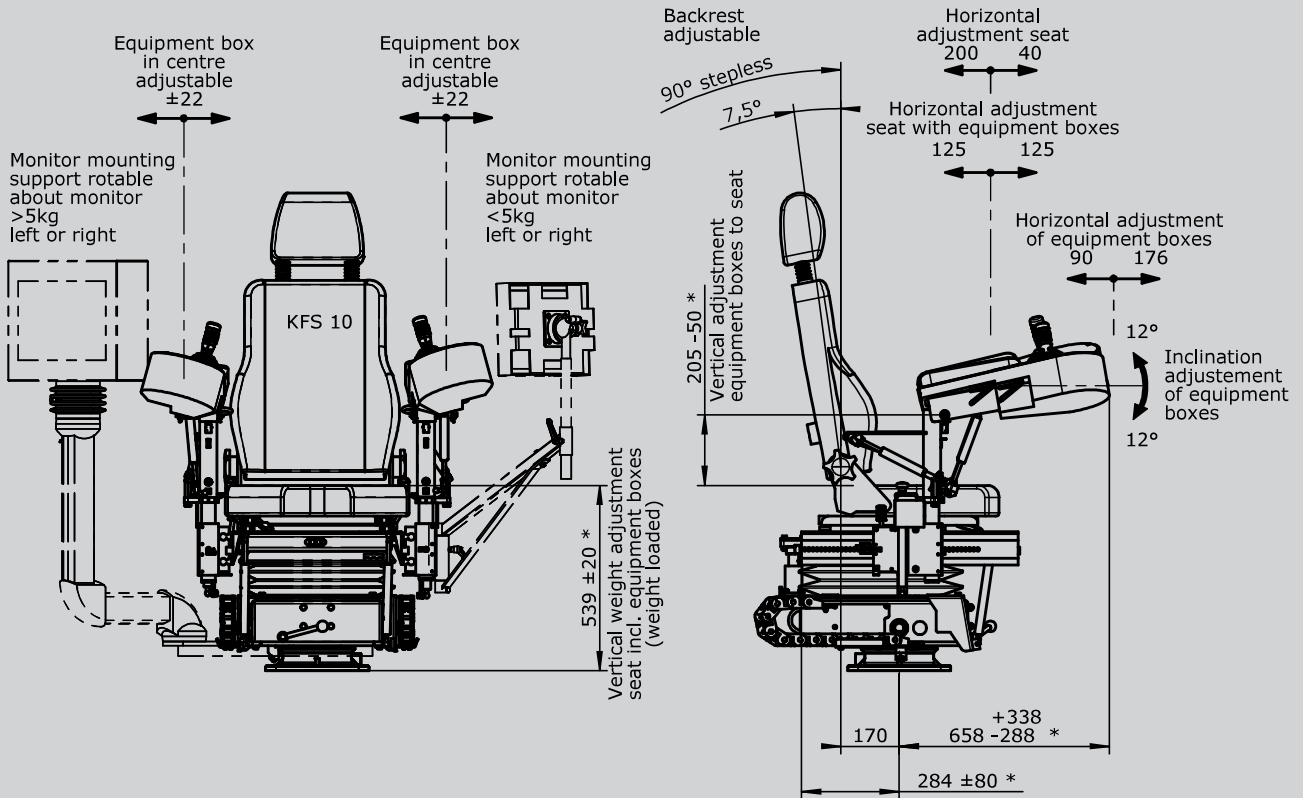
- KL Without wiring, but terminal block built in each terminal
- KLV On terminal block 4 mm<sup>2</sup> with single wire 1 mm<sup>2</sup> each terminal
- KLV On SPS (SPS provision) with single wire 1 mm<sup>2</sup> each terminal
- KLVA External wiring single wire highly flexible 1,5 mm<sup>2</sup>, 5 m long each terminal

### Special model

- X Special / customer specified
- X<sup>1</sup> Special painted

### Option

- Radio remote control system



\* adjustable

3