

Crane control unit

KST 10 swiveling



The KST 10 is an ergonomically designed swiveling crane control chair which provides a high degree of comfort.

Equipment boxes:

The equipment boxes are vertically and horizontally adjustable. The arrangement of the joysticks, indicators and control devices is customised according to customer specifications. Cabling is carried out through a cross-member in the traverse. (Terminal block)
Special boxes available upon request.

Driver seat:

As standard the KST 10 is fitted with a KFS 11 seat. The seat itself is fitted with a hydraulic vibration absorption system complete with weight adjustment to ensure that the comfort level is fitted with armrests and a headrest. There is the option to have the seat covered with air-permeable artificial leather.

Cross-member with swivel base:

The cover of the sheet steel cross-member including the driver's seat is forward foldable. Thereby all wirings, terminals and bushings are easily accessible during commissioning and maintenance. Swivel base has zero-clearance bearing and can be locked by a friction brake.

Surface treatment:

Base coat and textured varnish
Standard colour RAL 9011 black



Example

KST 10 -U1 -M1 -F3 -LK / KFS 11 / V85 / V85.1 / KL / X

Basic unit

KST 10 With equipment boxes

Base unit

U1 Swiveling 180° left, 90° right with friction brake
U2 Swiveling 180° left, 90° right with detent
U3 Electric swiveling 180° left, 90° right
U4 Non swiveling
U5 Without base frame

Attachments

M1 Monitor mounting with monitor housing
M2 Monitor mounting with monitor mounting bracket
M3 Monitor mounting without monitor housing/-mounting bracket
F3 Footrest KBF/716
H Heater 2 x 2 kW with ventilator
LK Plate for horizontal manual adjustment of control units +/- 250 mm

Driver seat

KFS 11* (Included in the delivery!)
KFS 9*
KFS 10*
KFS 12*

*Description see driver seat page 229

KST 10 -U1 -M1 -F3 -LK / KFS 11 / V64 / V64.1 / KL / X

Mounting for equipment boxes

- V... Multi-axis controller (see page 1)
- S... Single-axis controller (see page 93)
- D... Double-handle controller (see page 70)
- N... Control-switch (see page 131)
- ... More command and indicating devices (see page 202)

Wiring

- KL Without wiring, but terminal block built in each terminal
- KLV On terminal block 4 mm² with single wire 1 mm² each terminal
- KLV On SPS (SPS provision) with single wire 1 mm² each terminal
- KLVA External wiring single wire highly flexible 1,5 mm², 5 m long each terminal

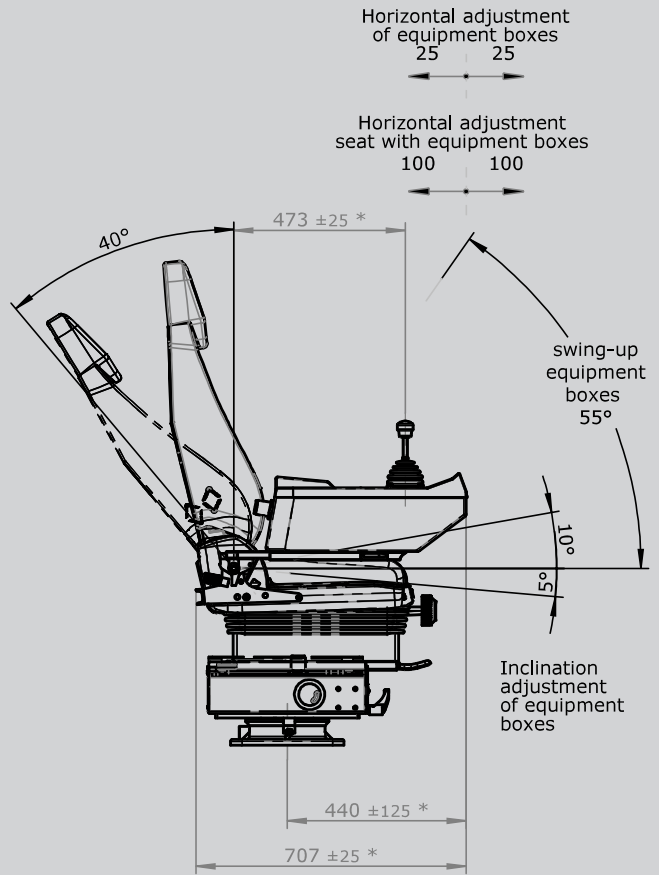
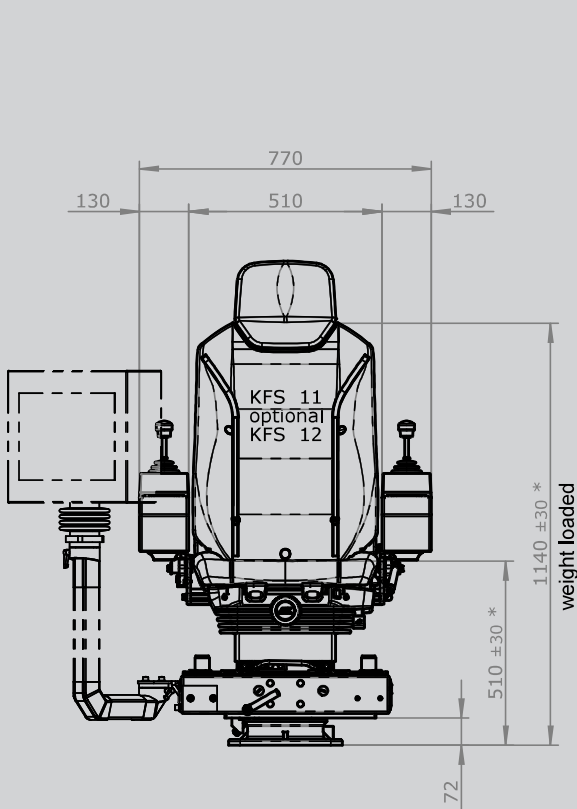
Special model

- X Special / customer specified
- X¹ Special painted

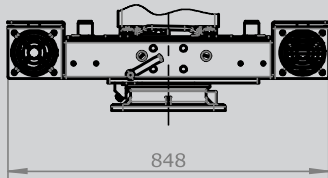
Option

- Radio remote control system

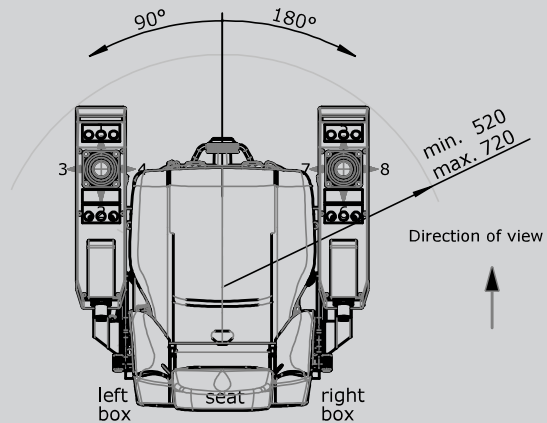
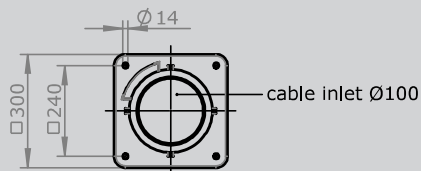
Crane control unit KST 10 swiveling



with heating



Floor mounting



* adjustable

3