

Single-axis controller S9



The single-axis controller S9 is a hallsensor switching device designed for electro-hydraulic applications. Due to its small size, the S9 is particularly suitable for installation in our ball handles. The single-axis controller is resistant to oil, maritime conditions e.g. offshore /vessels, UV radiation typically from the sun.



Technical data

Mechanical life S9	5 million operating cycles
Operating force	1,6 to 3,5N
Supply voltage	5V DC stabilized
Operating temperature	-40°C to +85°C
Degree of protection	IP67

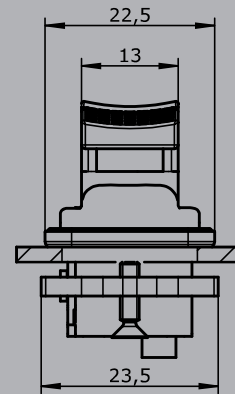
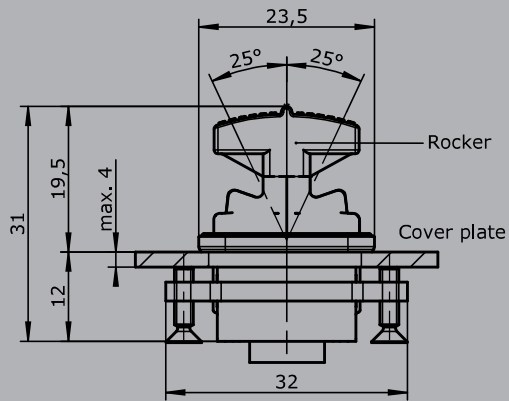
Example
S9

- E10311

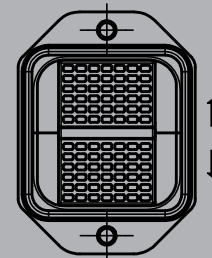
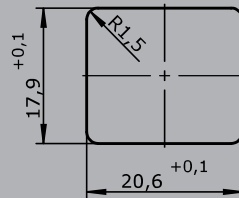
- X

		Example S9	- E10311	- X
Basic unit				
S9				
Interface				
E1031	0,5...2,5...4,5 V redundant by $U_b = 5\text{ V}$			
1	Output option inverse dual			
2	Output option dual			
Special model				
X	Special / customer specified			

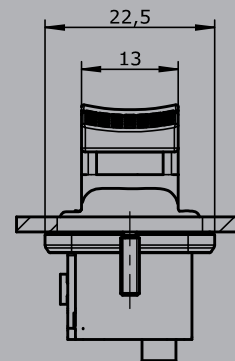
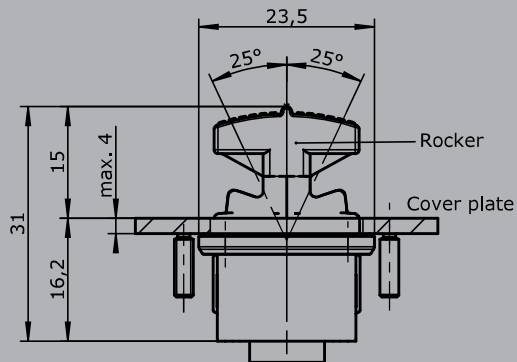
Installed from the top



Hole pattern
(installed from the top)



Installed from below



Hole pattern
(installed from below)

