

Single-axis controller S3



The single-axis control S3 is a rugged switching device for hoisting applications. The modular design enables the switching device to be used universally. The single-axis controller is resistant to oil, maritime conditions e.g. offshore /vessels, UV radiation typically from the sun.



Technical data

Mechanical life S3	12 million operating cycles
Operating temperature	-40°C to +85°C
Degree of protection	IP66 front



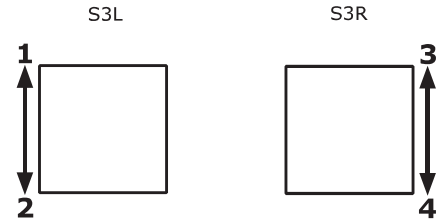
	S3L	S5	Q	-2 R P	-B	-A05 P484	-E1291	-S...	-X
Basic unit									
S3L	Single-axis controller left								
Control-handle extended									
S5	-20 mm								
Grip- control-handle left									
Q	T-grip								
Axis 1									
2	2 contacts (1,5A 24 V DC13)								
R	Friction brake								
P	Potentiometer								
Cover housing									
B	Cover housing								
Description axis 1 (direction 1-2)									
A05	Arrangement MSP21								
P484	Potentiometer T318 2 x 5 kOhm								
Interface									
E1291	Voltage output 0...5...10 V								
Plug connectors									
S..	Standard plug connectors (see page 138)								
Special model									
X	Special / customer specified								

Example

1

	S3L	S5	Q	-2 R P	-B	-A05	P484	-E1291	-S...	-X
Basic unit										
S3L	Single-axis controller, control-handle left									
S3R	Single-axis controller, control-handle right									
Control-handle extended										
	Standard 148 mm*									
S5	-20 mm									
S8	+20 mm									
	*Only possible in combination with handle!									
Grip										
	Knob									
D	Push button									
Q	T-grip									
QD	T-grip with push button side									

**Identification of the installation variants
with switching directions:**



	S3L	S5	Q	-2 R P	-B	-A05	P484	-E1291	-S...	-X	
Axis 1: direction 1-2 left											
1	1 contact										
2	2 contacts										
3	3 contacts										
	Standard contact - arrangement see page 140										
	z.B.										
	A98										
	A05										
	A050										
	A99 contact - arrangement according customer request										
R	Friction brake										
(P)	Possibility of mounting potentiometer and encoder (Gessmann-types)										
P	Potentiometer	P484	T318 2x5 kOhm								I max. 1 mA
	More potentiometers on request!										
H	Hall-Potentiometer	E14811		0,5...2,5...4,5 V / 4,5...2,5...0,5 V							

	S3L	S5	Q	-2 R P	-B	-A05	P484	-E1291	-S...	-X
Cover housing										
B	Cover housing									
Interface (description on the following pages)										
	Potentiometer output									
E1xx	Voltage output									
E2xx	Current output									
Special model										
X	Special / customer specified									

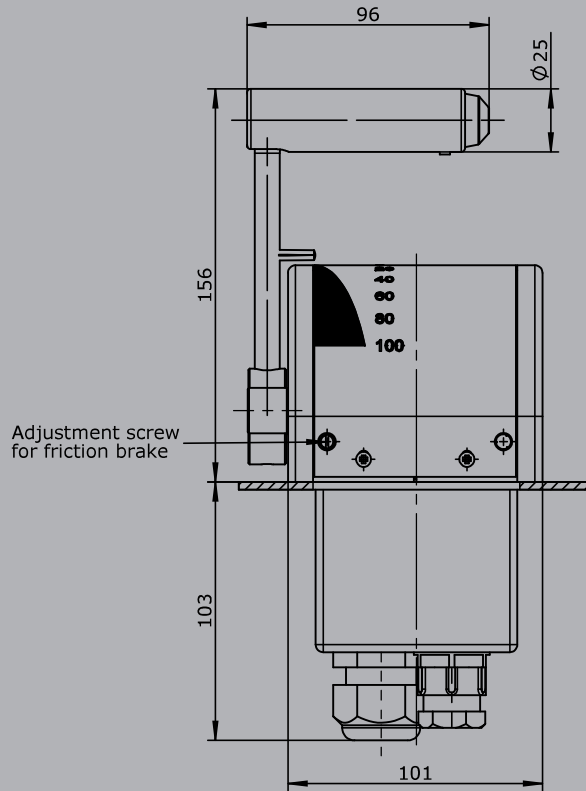
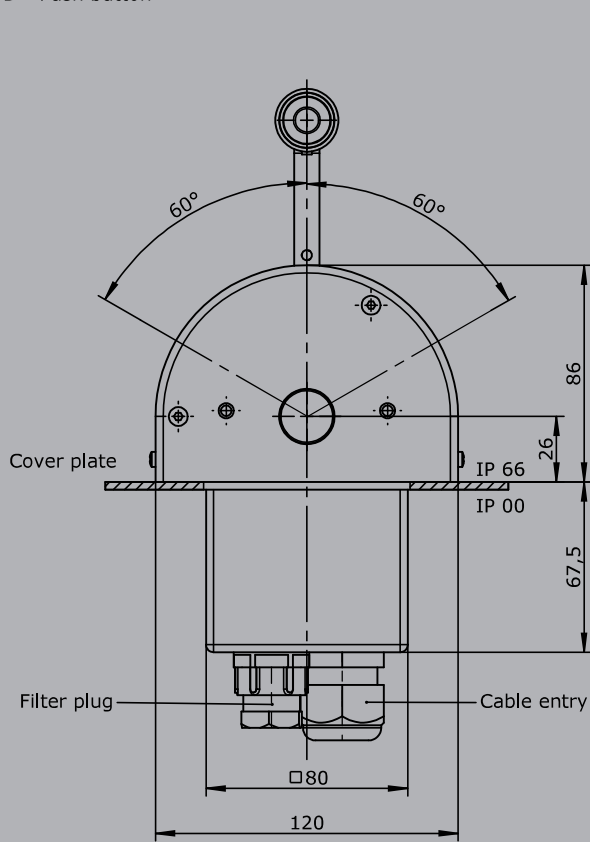
Voltage output			
Supply voltage	11,5-32 V DC		
Wiring	Cable 500 mm long without plug connector		
	Optional with plug connector (<i>standard plug connectors see page 138</i>)		
...5...10V	1 axis	E112	S
10...0...10V	1 axis	E141	
-10...0...+10V	1 axis	E140	
<i>Voltage output with other value on request!</i>			

Current output			
Supply voltage	18-36 V DC		
Wiring	Cable 500mm long without plug connector		
	Optional with plug connector (<i>standard plug connectors see page 138</i>)		
4...12...20 mA	1 axis	E209	S
20...4...20 mA	1 axis	E217	



1

T - grip
D = Push button



Knob solid
D = Push button

