

Single-axis controller S2 / SS2 / S21



The single-axis controller S2/SS2 is a robust switching device for remote controlled and electrohydraulic applications. The modular design of the switching device is universally applicable. The single-axis controller is resistant to oil, maritime conditions e.g. offshore / vessels, UV radiation typically from the sun.

Technical data

Mechanical life S2 / S21	6 million operating cycles
Mechanical life SS2	10 million operating cycles
Operating temperature	-40°C to +85°C
Degree of protection	up to IP54

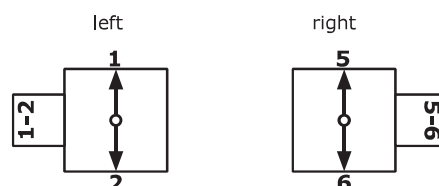


Example

	S2L	S5	T	- 02 Z P	- A050 P134	- X
Basic unit						
S2L left						
Control-handle extended						
S5 -20 mm						
Grip / palm grip						
T Dead man						
Axis 1 (direction 1-2)						
02 3 contacts (2A 250 V AC15)						
Z Spring return						
P Potentiometer						
Description axis 1 (direction 1-2)						
A050 Arrangement MSP21-0						
P134 Potentiometer T396 2 x 5 kOhm						
Special model						
X Special / customer specified						

	S2L	S5	T	- 02 Z P	- A050 P134	- X
Basic unit						
S2L Single-axis controller left						
S2R Single-axis controller right						
S21L Single-axis controller left with flange 96 x 96 mm						
S21R Single-axis controller right with flange 96 x 96 mm						
Reinforced version						
SS2L Single-axis controller left						
SS2R Single-axis controller right						
SS21L Single-axis controller left with flange 96 x 96 mm						
SS21R Single-axis controller right with flange 96 x 96 mm						

Identification of the installation variants with switching directions:



Combination possibilities with our handles (valid for single-axis controller S21)



S2L S5 T - 02 Z P - A050 P134 - X

Control-handle extended

Standard
S5 -20 mm
S8 +20 mm

Grip / palm grip

Knob (standard)
M Mechanical zero interlock
MN Mechanical zero interlock (push down)
T Dead man
MT Mechanical zero interlock + dead man
H Signal button
MH Mechanical zero interlock + signal button
D Push button
MD Mechanical zero interlock + push button
DV Flush push button
MDV Mechanical zero interlock + flush push button
B... Palm grip B... (see page palm grip 157)

S2L S5 T - 02 Z P - A050 P134 - X

Axis 1: direction 1-2 left / direction 5-6 right

02	3 contacts	Standard contact - arrangement see page 140		
03	5 contacts	z.B.		
04	7 contacts	A98	MS0	
05	9 contacts	A05	MS21	
		A0500	MS21-00	
		A110	MS24-0	
		A99 contact - arrangement according customer request		
Z	Spring return			
R	Friction brake			
(P)	Possibility of mounting potentiometer and encoder (Gessmann-types)			
P	Potentiometer	P131	T396 2 x 0,5 kOhm	I max. 1 mA
		P132	T396 2 x 1 kOhm	I max. 1 mA
		P133	T396 2 x 2 kOhm	I max. 1 mA
		P134	T396 2 x 5 kOhm	I max. 1 mA
		P135	T396 2 x 10 kOhm	I max. 1 mA
		More potentiometers on request!		
C	Encoder	C... Encoder see page 146		

S2L

S5

T

- 02 Z P

- A050 P134

- X

Special model

- X Special / customer specified
- X1 Microswitch (MZT 1) positively driven NC contact

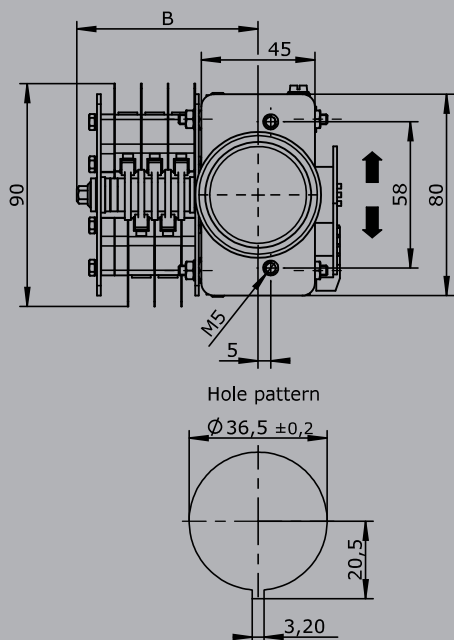
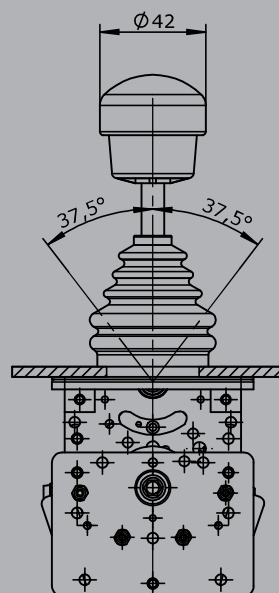
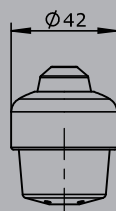
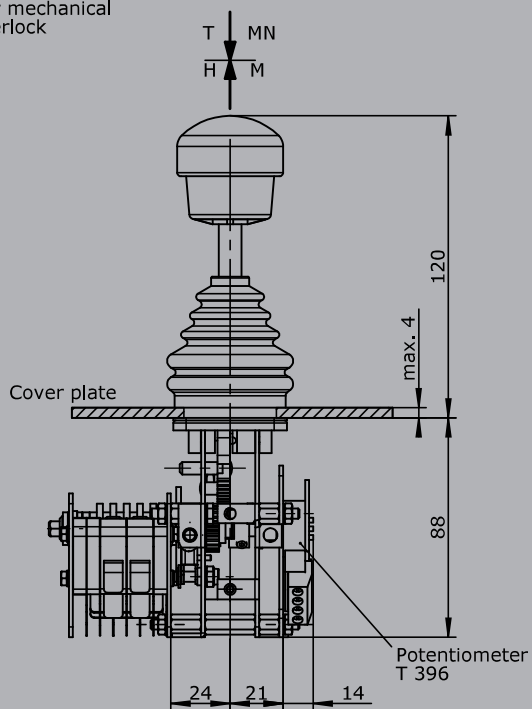
Attachments

- Indicating labels
- Indicating labels with engraving

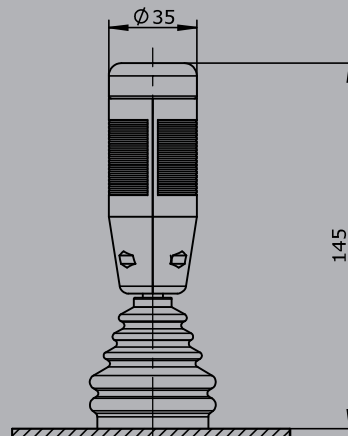
1

T = Dead man's button
 H = Signal button
 M = Latch for mechanical zero interlock

Knob solid
 D = Push button



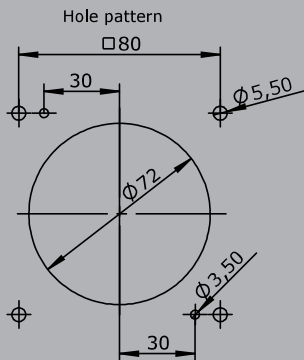
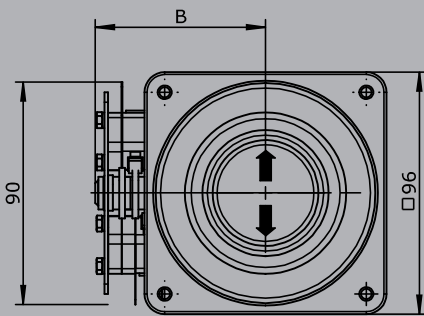
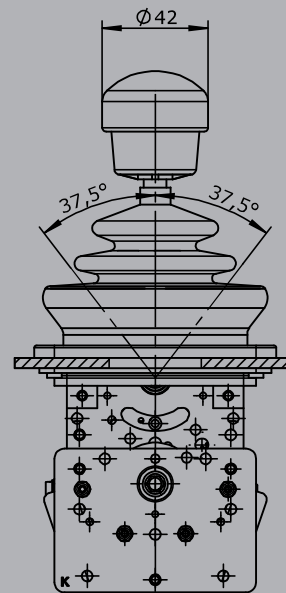
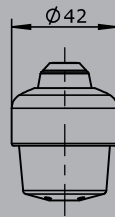
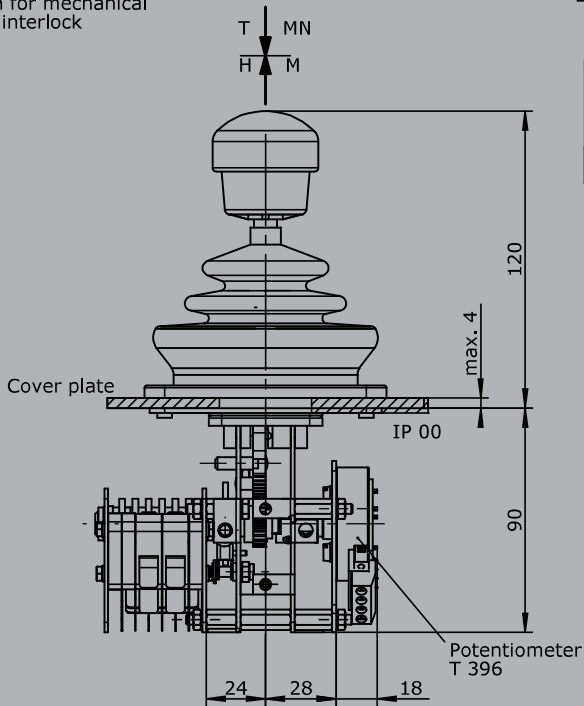
Palm grip B5
 B5 T = Dead man's button



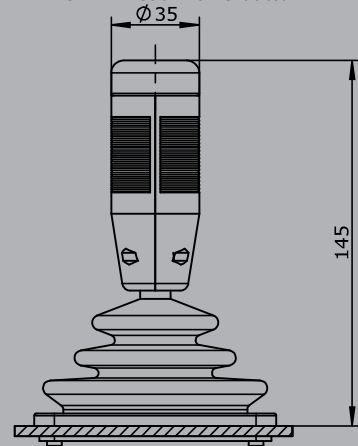
Type	No. of contacts	Maß B
02	3	62
03	5	72
04	7	83
05	9	93

T = Dead man's button
H = Signal button
M = Latch for mechanical zero interlock

Knob solid
D = Push button



Palm grip B5
B5 T = Dead man's button



Type	No. of contacts	Maß B
02	3	62
03	5	72
04	7	83
05	9	93