

The thumbwheel S12 is designed for electro-hydraulic applications. By the combination of different lighting options and colours you can customise the appearance.

Technical data

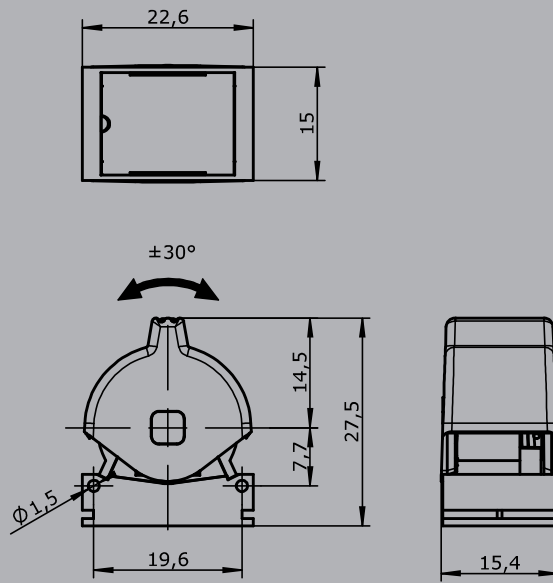
Mechanical life S12	5 million operating cycles
Operating temperature	-40°C to +85°C
Degree of protection	IP67
Functional safety	PLd (EN ISO 13849) possible



	S12	- 2	- 1	-1	-E1031	-X
Basic unit						
S12	Thumbwheel S12					
S12A	Thumbwheel S12 with mounting frame					
Illumination						
1	Unlighted					
2	Functional lighting 2-colour red-green (separate switchable) U_LED= 4,5 - 5,5 V					
3	Functional lighting 2-colour white-red (separate switchable) U_LED= 4,5 - 5,5 V					
4	Functional lighting 2-colour white-green (separate switchable) U_LED= 4,5 - 5,5 V					
Actuator colour						
1	Black					
2	Grey					
3	Blue					
4	Red					
5	Yellow					
6	Orange					
Mechanical function						
1	T-0-T					
2	R-0-R					
3	T-0-R					
4	R-0-T					
5	R-R					
6	R-R-0-R-R					
Interface						
E1031	0,5...2,5...4,5 V redundant by U _b = 5 V					
	1 Output option inverse dual					
	2 Output option dual					
Special model						
X	Special / customer specified					

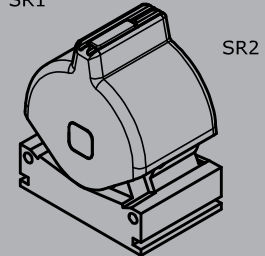
Technical details may vary based on configuration or application! Technical data subject to change without notice!

S12 without mounting frame



S12 with LED

SR1



SR2

S12 with mounting frame

