

Hall-Potentiometer HG 2



The Hall-Potentiometer HG2 is distinguished by its precision and longevity.

Technical data

Mechanical life	10 million operating cycles
Operation temperature	-40°C to +85°C
Degree of protection	IP67

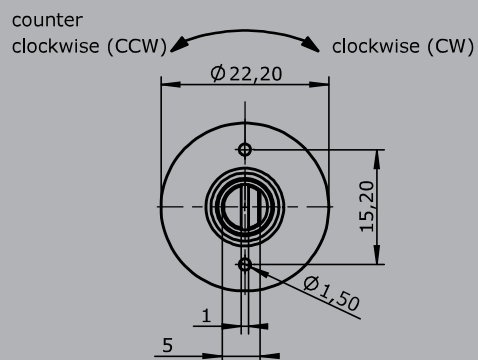
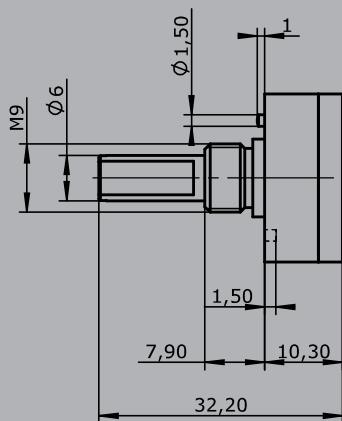


2

Example

	HG2A	-60	-6	-E14811	-X
Basic unit					
HG2A	Hall-Potentiometer HG2 Model A				
HG2B	Hall-Potentiometer HG2 Model B				
Operating distance					
0-359° possible					
Example 60° => 60					
Dead zone around the center position					
0 No dead zone					
Example +/-3° => 6					
Interface					
Voltage output HG2					
E1481					
1	0,5...2,5...4,5 V dual inverse Ub= 5 V DC				
2	0,5...2,5...4,5 V dual positive gradient clockwise (cw) Ub= 5 V DC				
3	0,5...2,5...4,5 V dual positive gradient counter clockwise (ccw) Ub= 5 V DC				
E1491					
1	0,5...2,5...4,5 V positive gradient clockwise (cw) with zero position signal Ub= 5 V DC				
2	0,5...2,5...4,5 V positive gradient counter clockwise (ccw) with zero position signal Ub= 5 V DC				
3	0,5...2,5...4,5 V positive gradient clockwise (cw) with direction signals Ub= 5 V DC				
4	0,5...2,5...4,5 V positive gradient counter clockwise (ccw) with direction signals Ub= 5 V DC				
Special model					
X	Special / customer specified				

HG2A



HG2B

